

Vertical In-line Double Suction Centrifugal Pump DSL

The DSL pumps are high efficiency pumps in a cost-effective design used in heavy industries.

Pump Concept

- Single-stage, double-suction, vertical, centrifugal pumps
- The design of the suction side provides for a perfect flow
- The inlet is placed in line with the outlet
- Advanced double-suction impeller
- High efficiency
- Low NPSH values
- Up to 7400 m³/h, pressure up to 140 mLC



Nominal diameter (DN)	150 to 600
Flow rate - 50 Hz	Up to 6200 m ³ /h (27300 US gpm)
Flow rate - 60 Hz	Up to 7400 m ³ /h (32580 US gpm)
Head	Up to 140 m (459 ft.)
Pressure	Up to 25 bar (363 psi)
Temperature	Up to 140°C (284°F)
VFD	Wall-mounted

Materials

Alternative material combinations such as stainless steel impeller are available. Maximum working temperature is 120°C for the standard model.

For higher temperatures, please contact DESMI. Detailed installation and operation instructions are supplied together with the pump.

Applications

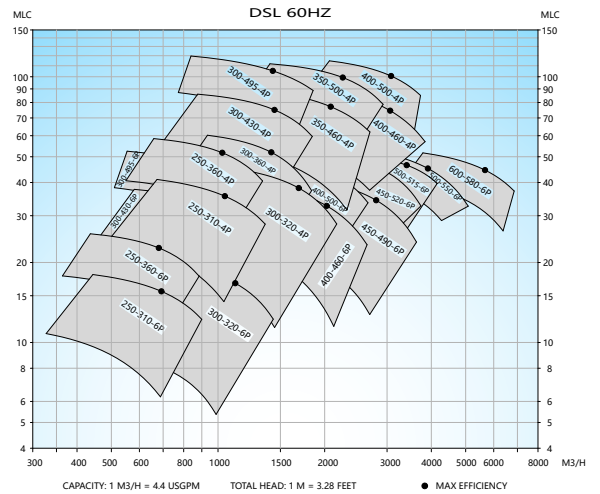
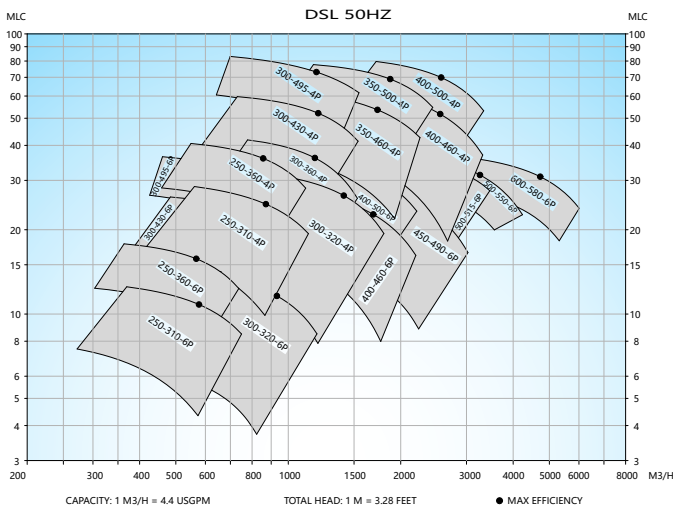
- Industry water transport or circulation
- Distribution pumps for cooling towers

Material specification	A	D	S
Pump casing	Cast iron (GG20)	Bronze (RG5)	Stainless (1.4460)
Impeller	NiAl-bronze (CC333)	NiAl-bronze (CC333)	Stainless (1.4460)
Wear ring	NiAl-bronze (CC333)	NiAl-bronze (CC333)	Stainless (1.4460)
Shaft seal cover	Cast iron (GG20)	Bronze (RG5)	Stainless (1.4460)
Shaft	Stainless (1.4460)	Stainless (1.4460)	Stainless (1.4460)
Shaft seal	Mechanical	Mechanical	Mechanical

Production Technology

The design of the DSL is based on CAD and CAM and on making maximum use of the newest CNC processing technology. The outcome is pumps with specific and uniform tolerances, pumps with well-defined performances, at an absolutely attractive price.

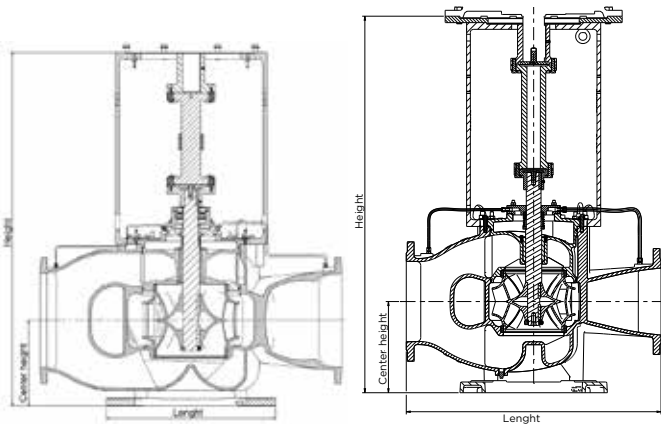
The pumps are fitted with bearings and mechanical shaft seal at both top and bottom. This gives a robust design for trouble-free continuous duty. The pumps are radially split. In spacer design, service including replacement of bearings and mechanical shaft seal can be carried out without removing motor and piping. Significant advantages to the benefit of the service personnel.



Spacer design

DSL B-U Spacer structure with ball bearing

DSL - B Spacer structure without ball bearing

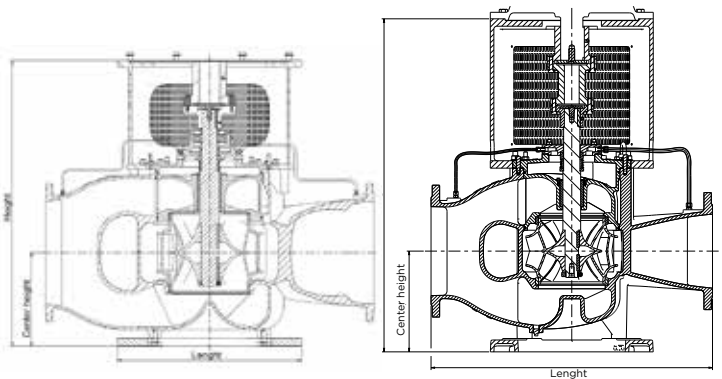


Spacer	Lenght:	Center Height:	Height:
DSL150-265	680mm	265mm	1165
DSL250-310	950mm	340mm	1380mm
DSL250-360	900mm	340mm	1428mm
DSL300-320	1100mm	400mm	1500mm
DSL300-495	1200mm	425mm	1830mm
DSL350-460	1260mm	400mm	1752mm
DSL400-495	1400mm	500mm	2100mm
DSL500-515	1600mm	455mm	1882mm

Compact design

DSL G-U compact structure with ball bearing

DSL - G compact structure without ball bearing



Compact	Lenght:	Center Height:	Height:
DSL150-265	680mm	265mm	915mm
DSL250-310	950mm	340mm	1124mm
DSL250-360	900mm	340mm	1135mm
DSL300-320	1100mm	400mm	1100mm
DSL300-430	1040mm	375mm	1365mm
DSL300-495	1200mm	375mm	1365mm
DSL350-460	1260mm	400mm	1420mm
DSL400-495	1400mm	500mm	1400mm
DSL400-498	1550mm	440mm	1510mm
DSL450-490	1550mm	470mm	1540mm
DSL500-515	1600mm	455mm	1390mm