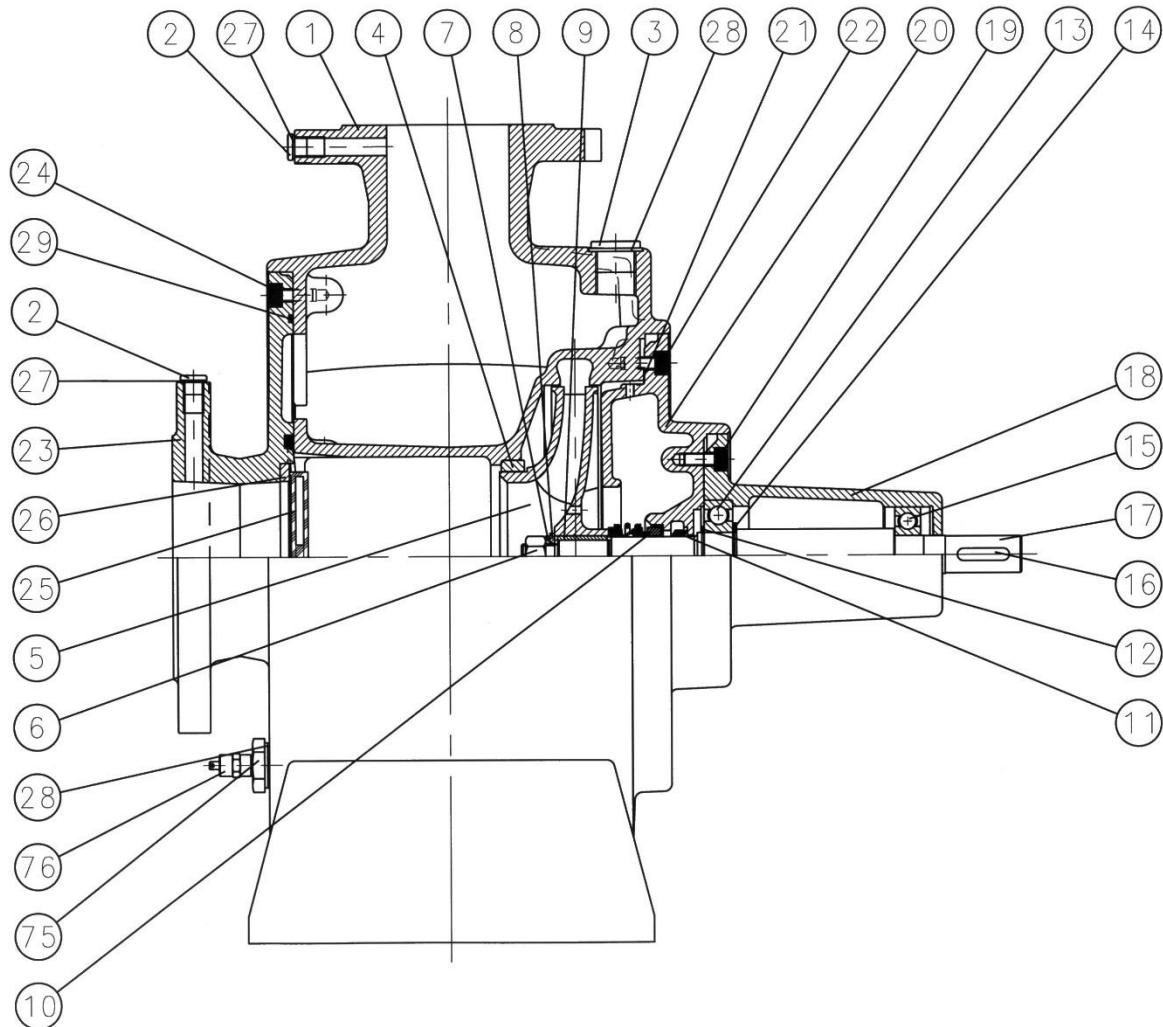


16. ASSEMBLY DRAWINGS

Assembly drawings of S32-25-110N and S50-32-135N are shown on the next pages.



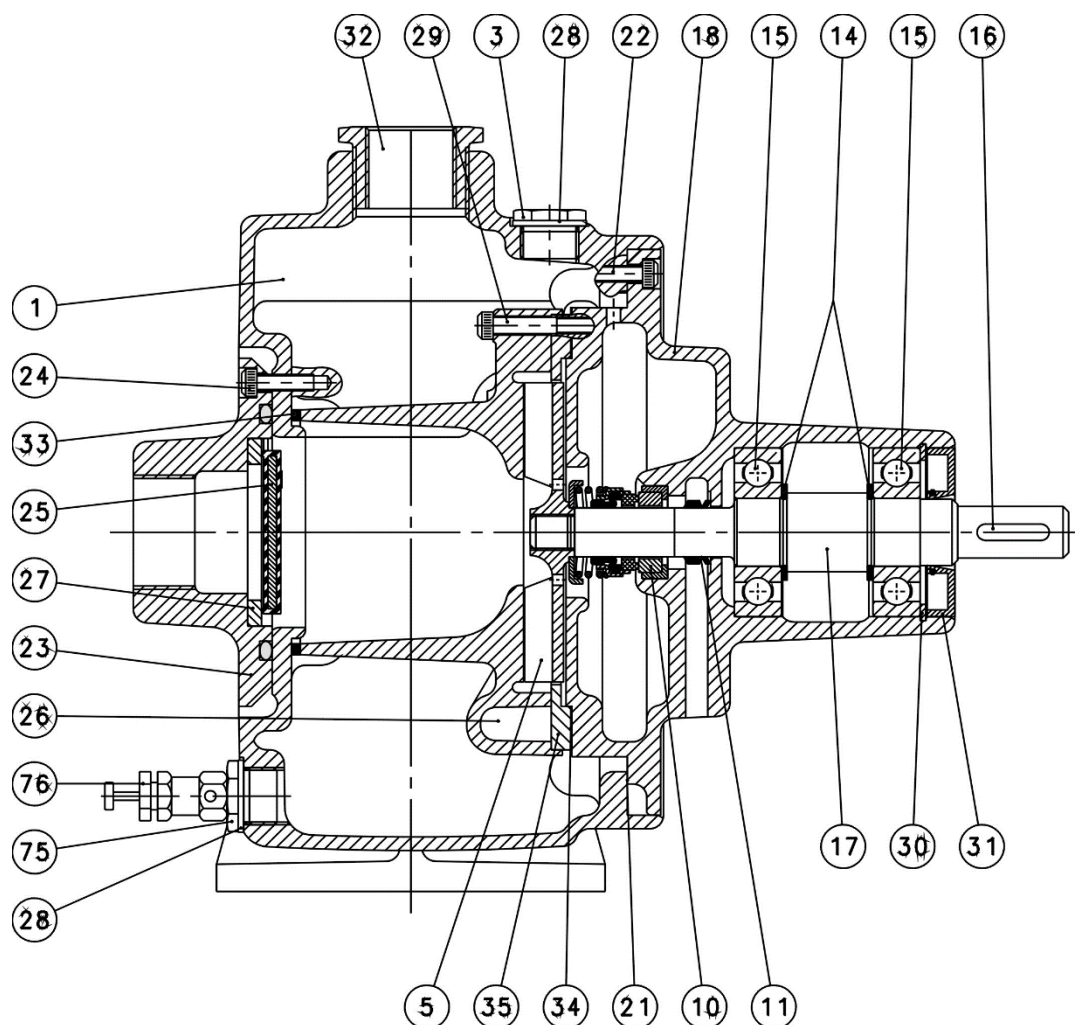
17. SPARE PARTS LISTS

Spare parts lists for S32-25-110N and S50-32-135N are shown on the next pages.

1 Pump casing	11 Water deflector	21 Gasket
2 Pipe plug	12 Ring lock	22 Allen screw
3 Pipe plug	13 Ball bearing	23 Suction piece
4 Sealing ring	14 Support disc	24 Allen screw
5 Impeller	15 Ball bearing	25 Non-return flap
6 Nut	16 Sunk key	26 Contact ring
7 Spring collar	17 Shaft	27 Gasket
8 Washer	18 Bearing housing	28 Gasket
9 Sunk key	19 Allen screw	29 O-ring
10 Mechanical shaft seal	20 Shaft seal cover	75 Drain plug
		76 Relief valve

ASSEMBLY DRAWING S32-25-110N

Assembly drawing of S50-32-135N is shown on the next page.

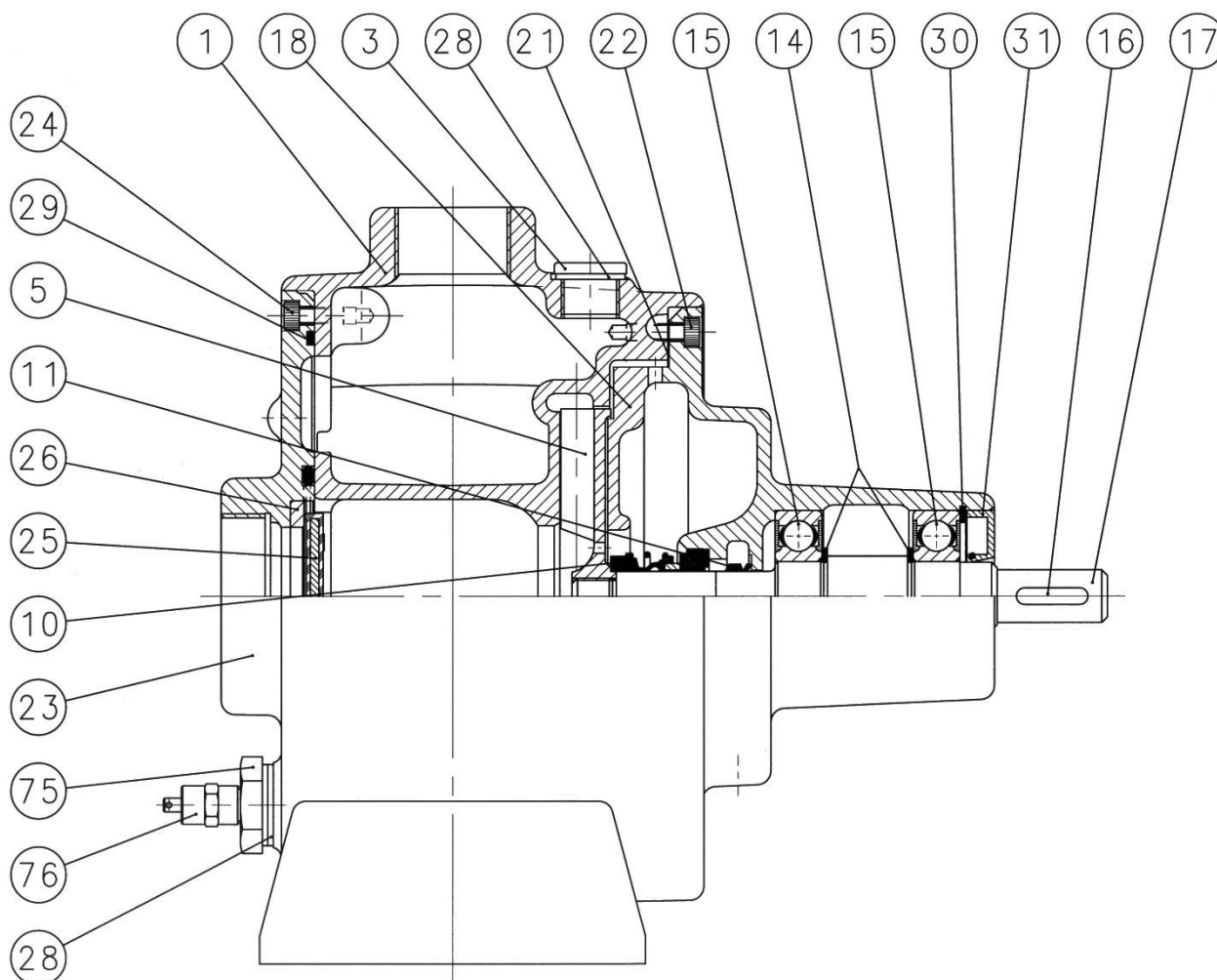


SPARE PARTS LIST S32-25-110N

Spare parts list for S50-32-135N is shown on the next page.

1 Pump casing	18 Bearing housing	29 Allen screw
3 Pipe plug	21 Gasket	30 Ring lock
5 Impeller	22 Allen screw	31 Oil seal ring
10 Mech. shaft seal	23 Suction piece	32 Reducing bush
11 Water deflector	24 Allen screw	33 Gasket
14 Support disc	25 Non-return flap	34 Shim
15 Ball bearing	26 Guide vane piece	35 Guide ring
16 Sunk key	27 Contact ring	75 Drain plug
17 Shaft	28 Sealing washer	76 Relief valve

ASSEMBLY DRAWING S50-32-135N



SPARE PARTS LIST S50-32-135N

1 Pump casing	16 Sunk key	25 Non-return flap
3 Pipe plug	17 Shaft	26 Contact ring
5 Impeller	18 Bearing housing	28 Sealing washer
10 Mech. shaft seal	21 Gasket	29 O-ring
11 Water deflector	22 Allen screw	30 Ring lock
14 Support disc	23 Suction piece	31 Oil seal ring
15 Ball bearing	24 Allen screw	75 Drain plug
		76 Relief valve