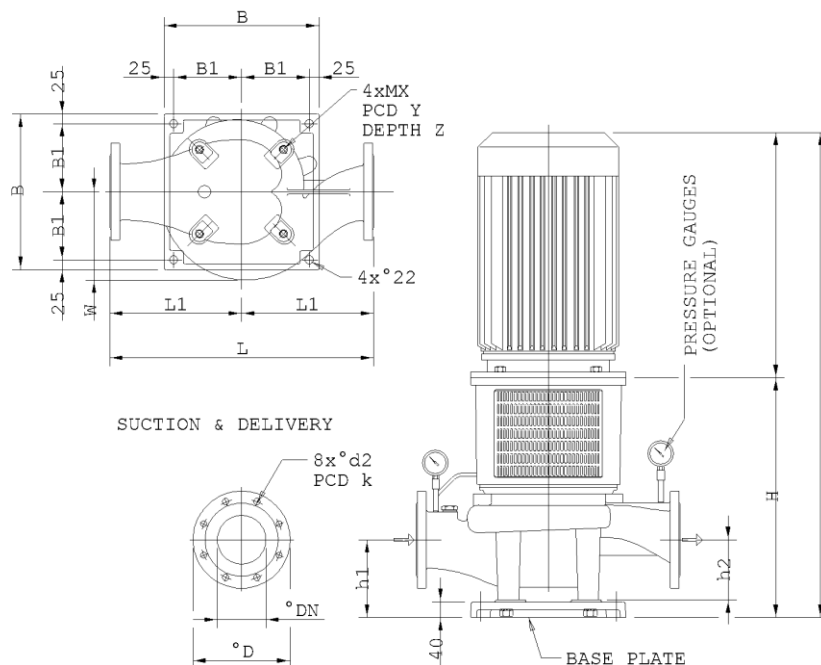


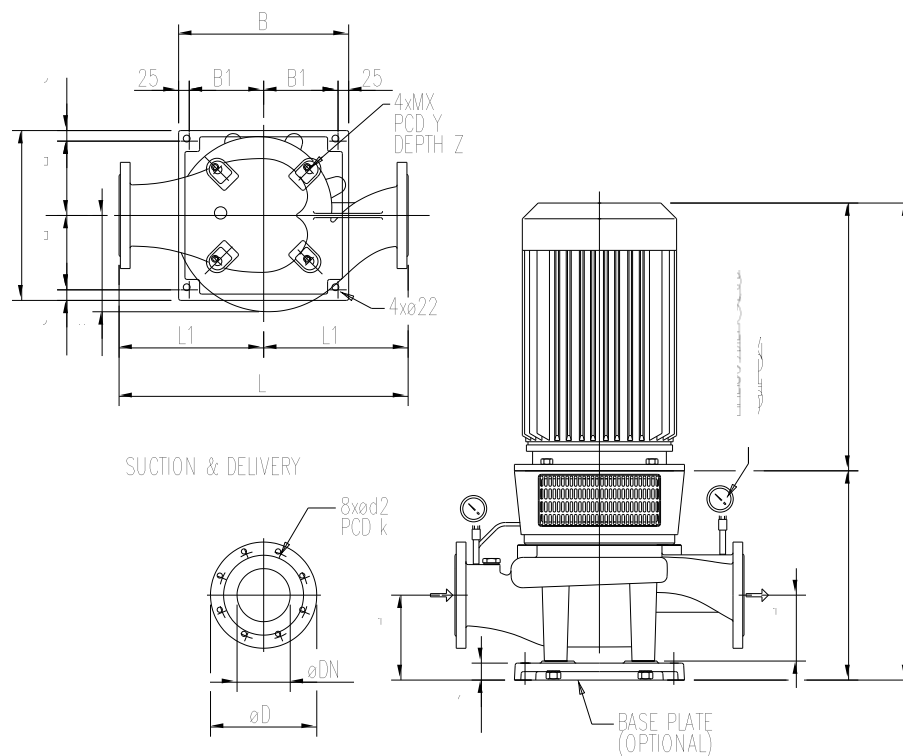
27. DIMENSIONAL SKETCH $\varnothing 215/265$ 02-COMBINATION See $\varnothing 330/415/418/525$ pumps on the next pages

Manometer: 1/4" BSP. Drain: 3/8" BSP. Priming: 1/2" BSP



| Type | H | h1 | h2 | L | L1 | W | DN | D | d2 | k | X | Y | Z | B | B1 |
|------------|-----|-----|-----|-----|-----|-----|-----|-----|----|-----|----|-----|----|-----|-----|
| NSL80-215 | 567 | 200 | 155 | 530 | 265 | 163 | 80 | 200 | 18 | 160 | 20 | 306 | 25 | 350 | 175 |
| NSL80-265 | 574 | 200 | 155 | 580 | 290 | 193 | 80 | 200 | 18 | 160 | 20 | 306 | 25 | 350 | 175 |
| NSL100-215 | 587 | 200 | 155 | 580 | 290 | 181 | 100 | 220 | 18 | 180 | 20 | 306 | 25 | 350 | 175 |
| NSL100-265 | 593 | 200 | 155 | 630 | 315 | 193 | 100 | 220 | 18 | 180 | 20 | 306 | 25 | 350 | 175 |
| NSL125-215 | 600 | 200 | 155 | 630 | 315 | 203 | 125 | 250 | 18 | 210 | 20 | 306 | 25 | 350 | 175 |
| NSL125-265 | 617 | 200 | 155 | 680 | 340 | 227 | 125 | 250 | 18 | 210 | 20 | 306 | 25 | 350 | 175 |
| NSL150-215 | 636 | 230 | 185 | 680 | 340 | 239 | 150 | 285 | 22 | 240 | 20 | 306 | 25 | 350 | 175 |
| NSL150-265 | 640 | 200 | 155 | 730 | 365 | 250 | 150 | 285 | 22 | 240 | 20 | 306 | 25 | 350 | 175 |
| NSL200-265 | 681 | 260 | 215 | 780 | 390 | 290 | 200 | 340 | 23 | 295 | 20 | 306 | 25 | 350 | 175 |
| NSL250-265 | 727 | 260 | 215 | 800 | 400 | 324 | 250 | 405 | 22 | 350 | 20 | 306 | 25 | 350 | 175 |

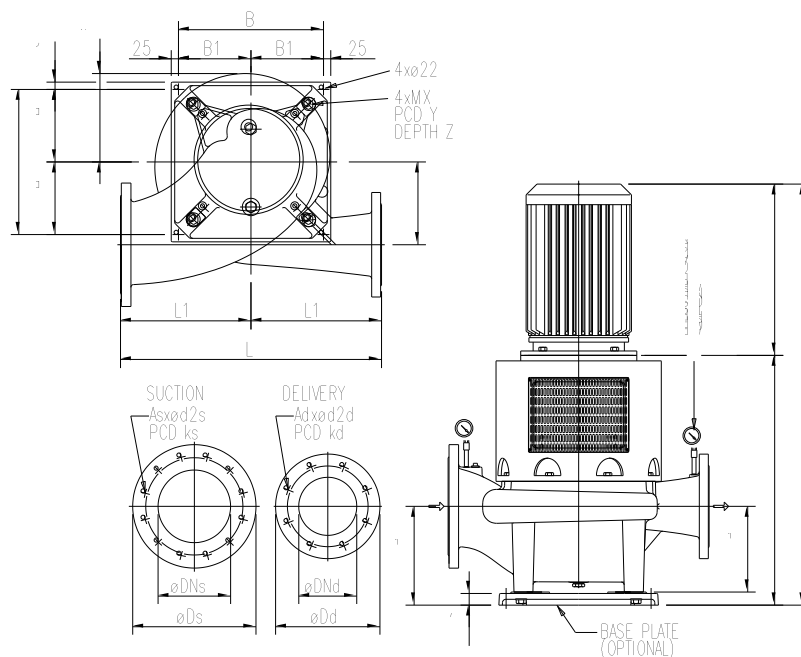
28. DIMENSIONAL SKETCH $\varnothing 215/265$ 12-COMBINATION



Manometer: 1/4" BSP. Drain: 3/8" BSP. Priming: 1/2" BSP

| Type | H | h1 | h2 | L | L1 | W | DN | D | d2 | k | X | Y | Z | B | B1 |
|------------|-----|-----|-----|-----|-----|-----|-----|-----|----|-----|----|-----|----|-----|-----|
| NSL80-215 | 444 | 200 | 155 | 530 | 265 | 163 | 80 | 200 | 18 | 160 | 20 | 306 | 25 | 350 | 175 |
| NSL80-265 | 450 | 200 | 155 | 580 | 290 | 193 | 80 | 200 | 18 | 160 | 20 | 306 | 25 | 350 | 175 |
| NSL100-215 | 465 | 200 | 155 | 580 | 290 | 181 | 100 | 220 | 18 | 180 | 20 | 306 | 25 | 350 | 175 |
| NSL100-265 | 470 | 200 | 155 | 630 | 315 | 193 | 100 | 220 | 18 | 180 | 20 | 306 | 25 | 350 | 175 |
| NSL125-215 | 478 | 200 | 155 | 630 | 315 | 203 | 125 | 250 | 18 | 210 | 20 | 306 | 25 | 350 | 175 |
| NSL125-265 | 493 | 200 | 155 | 680 | 340 | 227 | 125 | 250 | 18 | 210 | 20 | 306 | 25 | 350 | 175 |
| NSL150-265 | 517 | 200 | 155 | 730 | 365 | 250 | 150 | 285 | 22 | 240 | 20 | 306 | 25 | 350 | 175 |

29. DIMENSIONAL SKETCH $\varnothing 330/415/418/525$ 02-COMBINATION

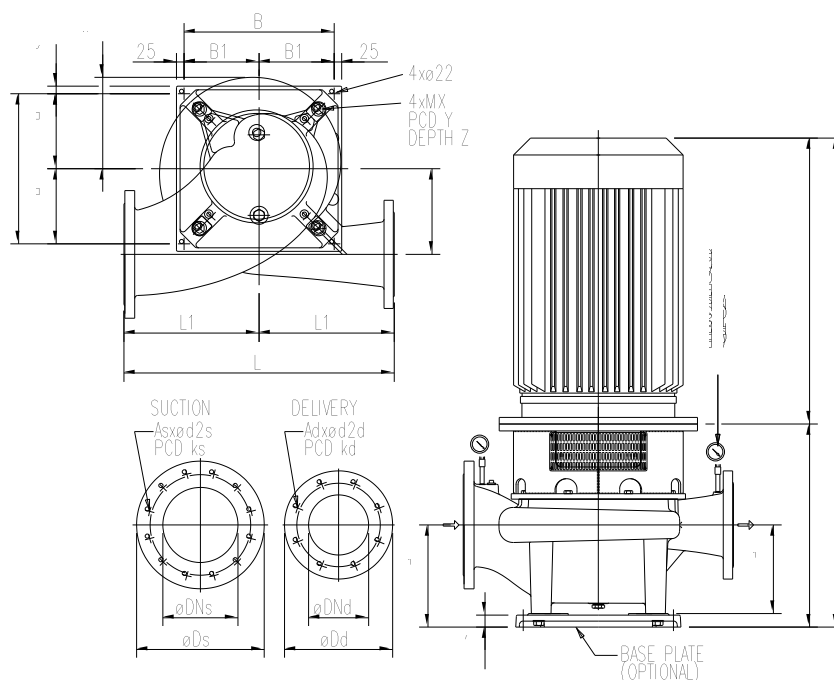


Manometer: 1/4" BSP. Drain: 3/4" BSP. Priming: 1/2" BSP

| Type | H | h1 | h2 | L | L1 | W | Ds A- exe. | Dd A- exe. | Ds D- exe. | Dd D- exe. | DNs | DNd | ks | kd |
|------------|------|-----|-----|------|-----|-----|------------------|------------------|------------------|------------------|-----|-----|-----|-----|
| NSL80-330 | 738 | 260 | 215 | 600 | 300 | 250 | 235 | 200 | 220 | 200 | 100 | 80 | 180 | 160 |
| NSL100-330 | 743 | 260 | 215 | 650 | 325 | 250 | 270 | 235 | 250 | 220 | 125 | 100 | 210 | 180 |
| NSL100-415 | 761 | 260 | 215 | 700 | 350 | 275 | 270 | 235 | 250 | 220 | 125 | 100 | 210 | 180 |
| NSL125-330 | 788 | 300 | 255 | 700 | 350 | 250 | 300 | 270 | 285 | 250 | 150 | 125 | 240 | 210 |
| NSL125-415 | 799 | 300 | 255 | 750 | 375 | 278 | 300 | 270 | 285 | 250 | 150 | 125 | 240 | 210 |
| NSL150-330 | 799 | 300 | 255 | 750 | 350 | 275 | 360 | 300 | 340 | 285 | 200 | 150 | 295 | 240 |
| NSL150-415 | 845 | 340 | 295 | 800 | 400 | 293 | 360 | 300 | 340 | 285 | 200 | 150 | 295 | 240 |
| NSL200-330 | 842 | 340 | 295 | 900 | 450 | 301 | 425 | 360 | 395 | 340 | 250 | 200 | 350 | 295 |
| NSL200-415 | 860 | 340 | 295 | 900 | 450 | 308 | 425 | 360 | 395 | 340 | 250 | 200 | 350 | 295 |
| NSL200-525 | 1050 | 380 | 335 | 900 | 450 | 385 | 425 | 360 | 425 | 360 | 250 | 200 | 350 | 295 |
| NSL250-330 | 889 | 380 | 335 | 1000 | 500 | 327 | 485 | 425 | 445 | 395 | 300 | 250 | 400 | 350 |
| NSL250-525 | 1060 | 390 | 345 | 1100 | 550 | 390 | 485 | 425 | 445 | 395 | 300 | 250 | 400 | 350 |
| NSL250-415 | 902 | 380 | 335 | 1000 | 500 | 355 | 485 | 425 | 445 | 395 | 300 | 250 | 400 | 350 |
| NSL300-415 | 953 | 420 | 375 | 1200 | 600 | 377 | 555 | 485 | 505 | 445 | 350 | 300 | 460 | 400 |
| NSL300-418 | 978 | 410 | 365 | 1300 | 650 | 427 | 505 | 445 | 505 | 445 | 350 | 300 | 460 | 400 |
| NSL300-525 | 1105 | 435 | 390 | 1200 | 600 | 419 | 555 | 485 | 555 | 485 | 350 | 300 | 460 | 400 |

| Type | d2s | d2d | As | Ad | X | Y | Z | B | B1 | O |
|------------|-----|-----|----|----|----|-----|----|-----|-----|-----|
| NSL80-330 | 18 | 18 | 8 | 8 | 20 | 306 | 25 | 350 | 175 | 200 |
| NSL100-330 | 18 | 18 | 8 | 8 | 20 | 306 | 25 | 350 | 175 | 210 |
| NSL100-415 | 18 | 18 | 8 | 8 | 20 | 450 | 25 | 500 | 250 | 250 |
| NSL125-330 | 22 | 18 | 8 | 8 | 20 | 306 | 25 | 350 | 175 | 225 |
| NSL125-415 | 22 | 18 | 8 | 8 | 20 | 450 | 25 | 500 | 250 | 260 |
| NSL150-330 | 22 | 22 | 8 | 8 | 20 | 450 | 25 | 500 | 250 | 235 |
| NSL150-415 | 22 | 22 | 8 | 8 | 20 | 450 | 25 | 500 | 250 | 275 |
| NSL200-330 | 22 | 22 | 12 | 8 | 20 | 450 | 25 | 500 | 250 | 260 |
| NSL200-415 | 22 | 22 | 12 | 8 | 24 | 560 | 28 | 500 | 250 | 285 |
| NSL200-525 | 22 | 22 | 12 | 8 | 24 | 560 | 28 | 500 | 250 | 330 |
| NSL250-330 | 22 | 22 | 12 | 12 | 24 | 560 | 28 | 500 | 250 | 275 |
| NSL250-415 | 22 | 22 | 12 | 12 | 24 | 560 | 28 | 500 | 250 | 305 |
| NSL250-525 | 22 | 22 | 12 | 12 | 24 | 560 | 28 | 500 | 250 | 340 |
| NSL300-415 | 22 | 22 | 16 | 12 | 24 | 560 | 28 | 500 | 250 | 320 |
| NSL300-418 | 22 | 22 | 16 | 12 | 24 | 560 | 28 | 500 | 250 | 360 |
| NSL300-525 | 22 | 22 | 16 | 12 | 24 | 560 | 28 | 500 | 250 | 365 |

30. DIMENSIONAL SKETCH Ø330/415/418/525 12-COMBINATION



Manometer: 1/4" BSP. Drain: 3/4" BSP. Priming: 1/2" BSP

| Type | H | h1 | h2 | L | L1 | W | Ds A- exe. | Dd A- exe. | Ds D- exe. | Dd D- exe. | DNs | DNd | ks | kd |
|------------|-----|-----|-----|------|-----|-----|------------------|------------------|------------------|------------------|-----|-----|-----|-----|
| NSL80-330 | 499 | 260 | 215 | 600 | 300 | 250 | 235 | 200 | 220 | 200 | 100 | 80 | 180 | 160 |
| NSL100-330 | 504 | 260 | 215 | 650 | 325 | 250 | 270 | 235 | 250 | 220 | 125 | 100 | 210 | 180 |
| NSL100-415 | 547 | 260 | 215 | 700 | 350 | 275 | 270 | 235 | 250 | 220 | 125 | 100 | 210 | 180 |
| NSL125-330 | 549 | 300 | 255 | 700 | 350 | 250 | 300 | 270 | 285 | 250 | 150 | 125 | 240 | 210 |
| NSL125-415 | 585 | 300 | 255 | 750 | 375 | 278 | 300 | 270 | 285 | 250 | 150 | 125 | 240 | 210 |
| NSL150-330 | 599 | 300 | 255 | 750 | 350 | 259 | 360 | 300 | 340 | 285 | 200 | 150 | 295 | 240 |
| NSL150-415 | 631 | 340 | 295 | 800 | 400 | 293 | 360 | 300 | 340 | 285 | 200 | 150 | 295 | 240 |
| NSL200-330 | 643 | 340 | 295 | 900 | 450 | 280 | 425 | 360 | 395 | 340 | 250 | 200 | 350 | 295 |
| NSL200-525 | 805 | 380 | 335 | 900 | 450 | 385 | 425 | 360 | 425 | 360 | 250 | 200 | 350 | 295 |
| NSL200-415 | 676 | 340 | 295 | 900 | 450 | 308 | 425 | 360 | 395 | 340 | 250 | 200 | 350 | 295 |
| NSL250-330 | 690 | 380 | 335 | 1000 | 500 | 303 | 485 | 425 | 445 | 395 | 300 | 250 | 400 | 350 |
| NSL250-415 | 718 | 380 | 335 | 1000 | 500 | 330 | 485 | 425 | 445 | 395 | 300 | 250 | 400 | 350 |
| NSL250-525 | 815 | 390 | 345 | 1100 | 550 | 390 | 485 | 425 | 445 | 395 | 300 | 250 | 400 | 350 |
| NSL300-415 | 764 | 420 | 375 | 1200 | 600 | 344 | 555 | 485 | 505 | 445 | 350 | 300 | 460 | 400 |
| NSL300-418 | 834 | 410 | 365 | 1300 | 650 | 427 | 505 | 445 | 505 | 445 | 350 | 300 | 460 | 400 |
| NSL300-525 | 860 | 435 | 390 | 1200 | 600 | 419 | 555 | 485 | 505 | 445 | 350 | 300 | 460 | 400 |

| Type | d2s | d2d | As | Ad | X | Y | Z | B | B1 | O |
|------------|-----|-----|----|----|----|-----|----|-----|-----|-----|
| NSL80-330 | 18 | 18 | 8 | 8 | 20 | 306 | 25 | 350 | 175 | 200 |
| NSL100-330 | 18 | 18 | 8 | 8 | 20 | 306 | 25 | 350 | 175 | 210 |
| NSL100-415 | 18 | 18 | 8 | 8 | 20 | 450 | 25 | 500 | 250 | 250 |
| NSL125-330 | 22 | 18 | 8 | 8 | 20 | 306 | 25 | 350 | 175 | 225 |
| NSL125-415 | 22 | 18 | 8 | 8 | 20 | 450 | 25 | 500 | 250 | 260 |
| NSL150-330 | 22 | 22 | 8 | 8 | 20 | 450 | 25 | 500 | 250 | 235 |
| NSL150-415 | 22 | 22 | 8 | 8 | 20 | 450 | 25 | 500 | 250 | 275 |
| NSL200-330 | 22 | 22 | 12 | 8 | 20 | 450 | 25 | 500 | 250 | 260 |
| NSL200-415 | 22 | 22 | 12 | 8 | 24 | 560 | 28 | 500 | 250 | 285 |
| NSL200-525 | 22 | 22 | 12 | 8 | 24 | 560 | 28 | 500 | 250 | 330 |
| NSL250-330 | 22 | 22 | 12 | 12 | 24 | 560 | 28 | 500 | 250 | 275 |
| NSL250-415 | 22 | 22 | 12 | 12 | 24 | 560 | 28 | 500 | 250 | 305 |
| NSL250-525 | 22 | 22 | 12 | 12 | 24 | 560 | 28 | 500 | 250 | 340 |
| NSL300-415 | 22 | 22 | 16 | 12 | 24 | 560 | 28 | 500 | 250 | 320 |
| NSL300-418 | 22 | 22 | 16 | 12 | 24 | 560 | 28 | 500 | 250 | 360 |
| NSL300-525 | 22 | 22 | 16 | 12 | 24 | 560 | 28 | 500 | 250 | 365 |