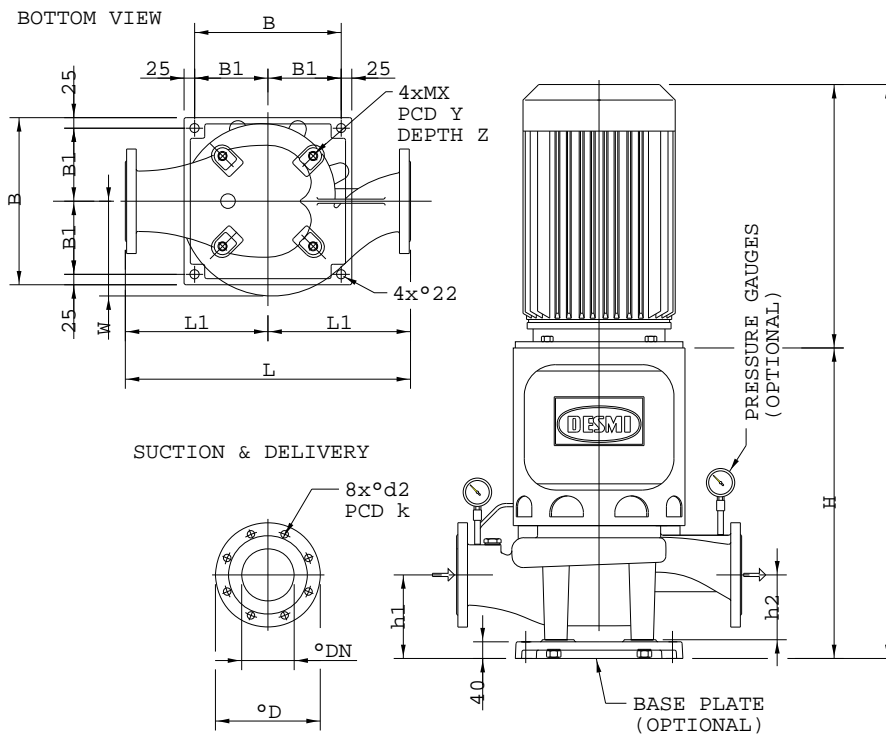


21. DIMENSIONAL SKETCH $\varnothing 215/265$

See $\varnothing 330/415$ pumps on the next pages

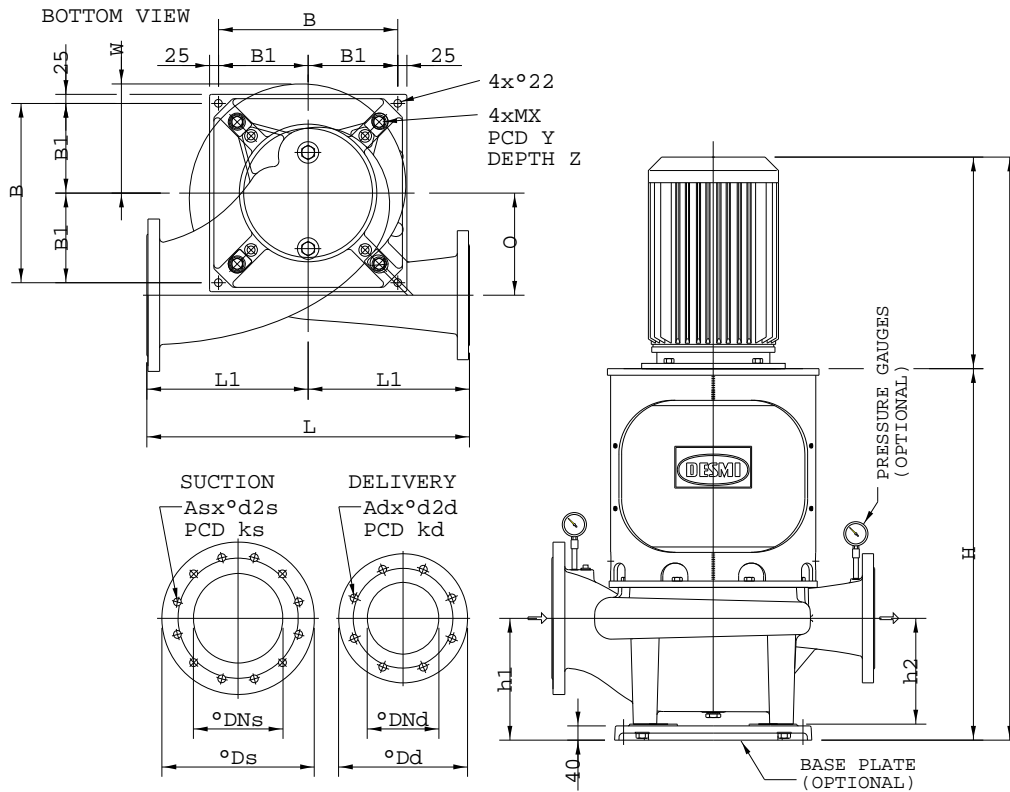
Manometer: 1/4" BSP. Drain: 3/8" BSP. Priming: 1/2" BSP



| Type | H | h1 | h2 | L | L1 | W | DN | D | d2 | k | X | Y | Z | B | B1 |
|------------|-----|-----|-----|-----|-----|-----|-----|-----|----|-----|----|-----|----|-----|-----|
| NSL80-215 | 693 | 200 | 155 | 530 | 265 | 163 | 80 | 200 | 18 | 160 | 20 | 306 | 25 | 350 | 175 |
| NSL80-265 | 700 | 200 | 155 | 580 | 290 | 193 | 80 | 200 | 18 | 160 | 20 | 306 | 25 | 350 | 175 |
| NSL100-215 | 714 | 200 | 155 | 580 | 290 | 181 | 100 | 220 | 18 | 180 | 20 | 306 | 25 | 350 | 175 |
| NSL100-265 | 720 | 200 | 155 | 630 | 315 | 193 | 100 | 220 | 18 | 180 | 20 | 306 | 25 | 350 | 175 |
| NSL125-215 | 727 | 200 | 155 | 630 | 315 | 203 | 125 | 250 | 18 | 210 | 20 | 306 | 25 | 350 | 175 |
| NSL125-265 | 743 | 200 | 155 | 680 | 340 | 227 | 125 | 250 | 18 | 210 | 20 | 306 | 25 | 350 | 175 |
| NSL150-215 | 763 | 230 | 185 | 680 | 340 | 239 | 150 | 285 | 22 | 240 | 20 | 306 | 25 | 350 | 175 |
| NSL150-265 | 767 | 200 | 155 | 730 | 365 | 250 | 150 | 285 | 22 | 240 | 20 | 306 | 25 | 350 | 175 |
| NSL200-265 | 808 | 260 | 215 | 780 | 390 | 290 | 200 | 340 | 23 | 295 | 20 | 306 | 25 | 350 | 175 |
| NSL250-265 | 835 | 260 | 215 | 800 | 400 | 324 | 250 | 405 | 22 | 350 | 20 | 306 | 25 | 350 | 175 |

22. DIMENSIONAL SKETCH $\phi 330/415$

Manometer: 1/4" BSP. Drain: 3/4" BSP. Priming: 1/2" BSP



| Type | H | h1 | h2 | L | L1 | W | Ds A- exe. | Dd A- exe. | Ds D- exe. | Dd D- exe. | DNs | DNd | ks | kd |
|------------|------|-----|-----|------|-----|-----|------------------|------------------|------------------|------------------|-----|-----|-----|-----|
| NSL80-330 | 894 | 260 | 215 | 600 | 300 | 250 | 235 | 200 | 220 | 200 | 100 | 80 | 180 | 160 |
| NSL100-330 | 899 | 260 | 215 | 650 | 325 | 250 | 270 | 235 | 250 | 220 | 125 | 100 | 210 | 180 |
| NSL100-415 | 922 | 260 | 215 | 700 | 350 | 275 | 270 | 235 | 250 | 220 | 125 | 100 | 210 | 180 |
| NSL125-330 | 945 | 300 | 255 | 700 | 350 | 250 | 300 | 270 | 285 | 250 | 150 | 125 | 240 | 210 |
| NSL125-415 | 960 | 300 | 255 | 750 | 375 | 278 | 300 | 270 | 285 | 250 | 150 | 125 | 240 | 210 |
| NSL150-330 | 955 | 300 | 255 | 750 | 350 | 275 | 360 | 300 | 340 | 285 | 200 | 150 | 295 | 240 |
| NSL150-415 | 1006 | 340 | 295 | 800 | 400 | 293 | 360 | 300 | 340 | 285 | 200 | 150 | 295 | 240 |
| NSL200-330 | 998 | 340 | 295 | 900 | 450 | 301 | 425 | 360 | 395 | 340 | 250 | 200 | 350 | 295 |
| NSL200-415 | 1076 | 340 | 295 | 900 | 450 | 308 | 425 | 360 | 395 | 340 | 250 | 200 | 350 | 295 |
| NSL250-330 | 1045 | 380 | 335 | 1000 | 500 | 327 | 485 | 425 | 445 | 395 | 300 | 250 | 400 | 350 |

| | | | | | | | | | | | | | | |
|------------|------|-----|-----|------|-----|-----|-----|-----|-----|-----|-----|-----|-----|-----|
| NSL250-415 | 1118 | 380 | 335 | 1000 | 500 | 355 | 485 | 425 | 445 | 395 | 300 | 250 | 400 | 350 |
| NSL300-415 | 1164 | 420 | 375 | 1200 | 600 | 377 | 555 | 485 | 505 | 445 | 350 | 300 | 460 | 400 |

| Type | d2s | d2d | As | Ad | X | Y | Z | B | B1 | O |
|------------|-----|-----|----|----|----|-----|----|-----|-----|-----|
| NSL80-330 | 18 | 18 | 8 | 8 | 20 | 306 | 25 | 350 | 175 | 200 |
| NSL100-330 | 18 | 18 | 8 | 8 | 20 | 306 | 25 | 350 | 175 | 210 |
| NSL100-415 | 18 | 18 | 8 | 8 | 20 | 450 | 25 | 500 | 250 | 250 |
| NSL125-330 | 22 | 18 | 8 | 8 | 20 | 306 | 25 | 350 | 175 | 225 |
| NSL125-415 | 22 | 18 | 8 | 8 | 20 | 450 | 25 | 500 | 250 | 260 |
| NSL150-330 | 22 | 22 | 8 | 8 | 20 | 450 | 25 | 500 | 250 | 235 |
| NSL150-415 | 22 | 22 | 8 | 8 | 20 | 450 | 25 | 500 | 250 | 275 |
| NSL200-330 | 22 | 22 | 12 | 8 | 20 | 450 | 25 | 500 | 250 | 260 |
| NSL200-415 | 22 | 22 | 12 | 8 | 24 | 560 | 28 | 500 | 250 | 285 |
| NSL250-330 | 22 | 22 | 12 | 12 | 24 | 560 | 28 | 500 | 250 | 275 |
| NSL250-415 | 22 | 22 | 12 | 12 | 24 | 560 | 28 | 500 | 250 | 305 |
| NSL300-415 | 22 | 22 | 16 | 12 | 24 | 560 | 28 | 500 | 250 | 320 |