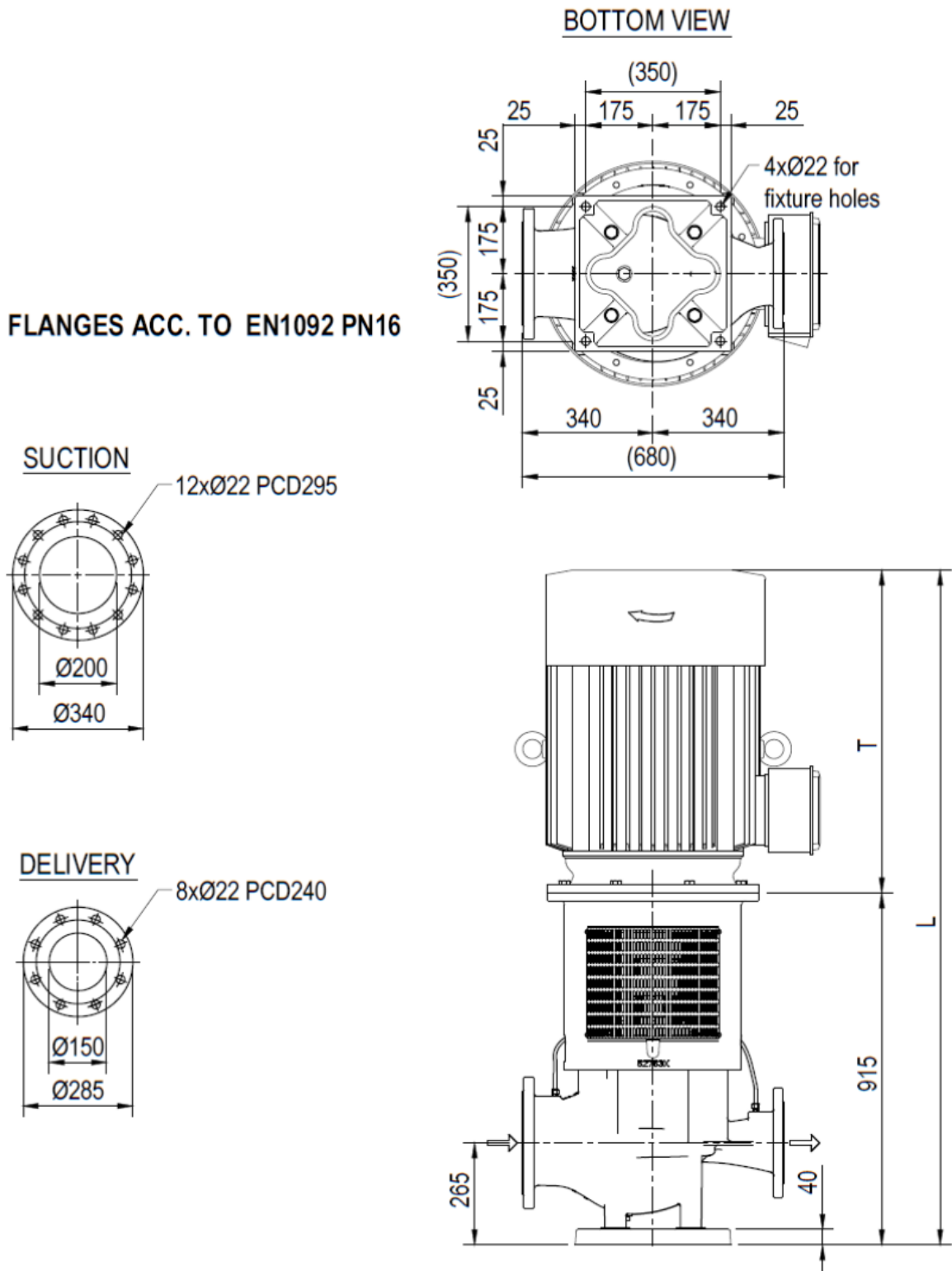


16. LAYOUT DRAWING

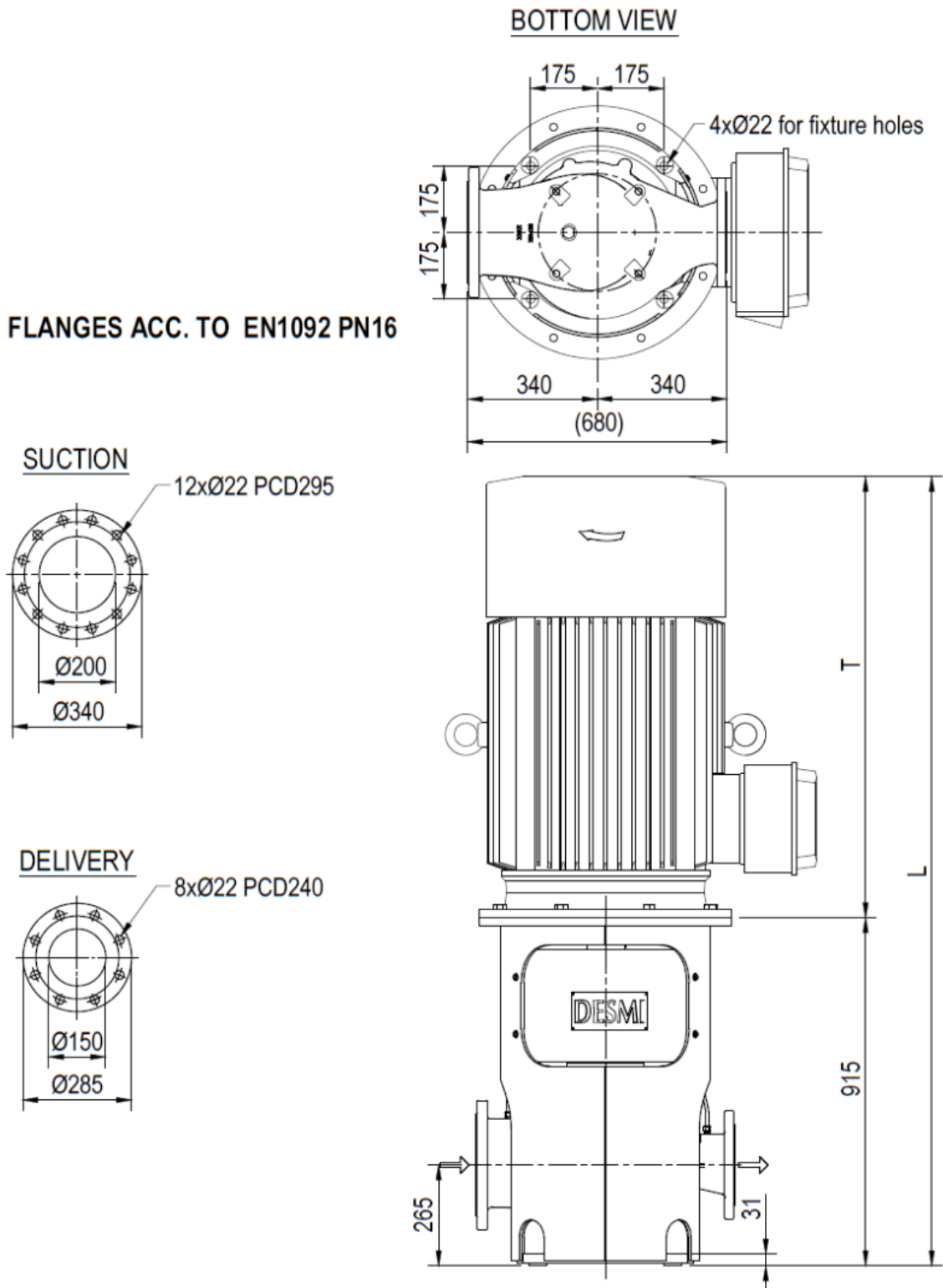
16.1 LAYOUT DRAWING OF DSL150-265/-G

NOTES: FLANGES ACC. TO EN1092 PN16

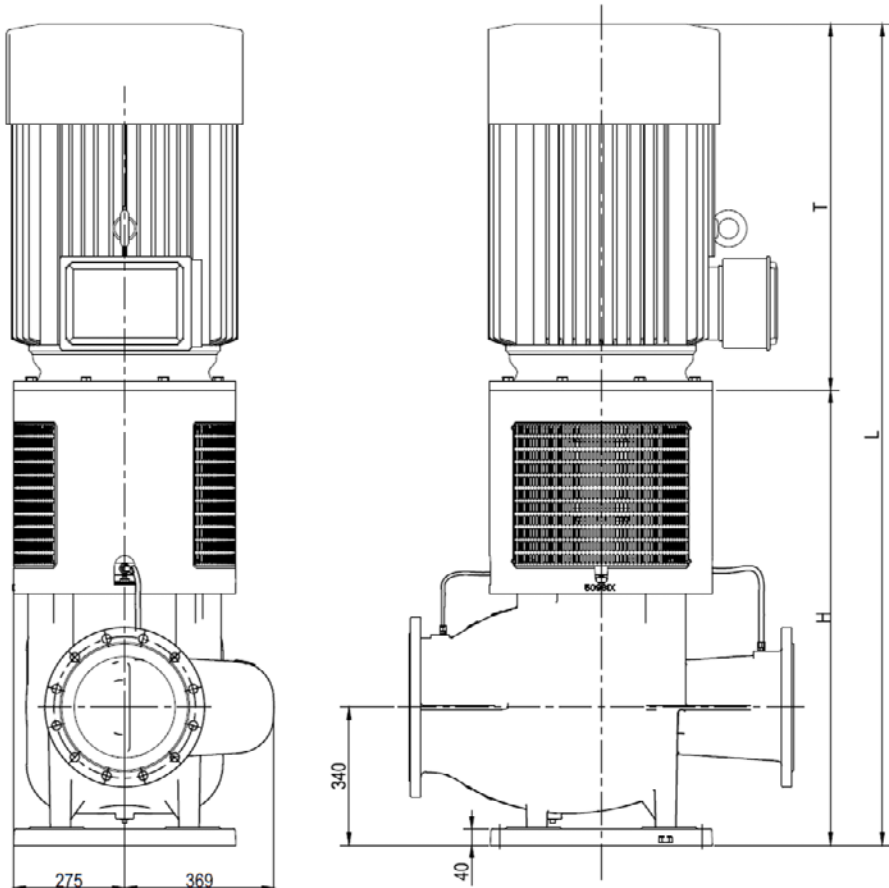
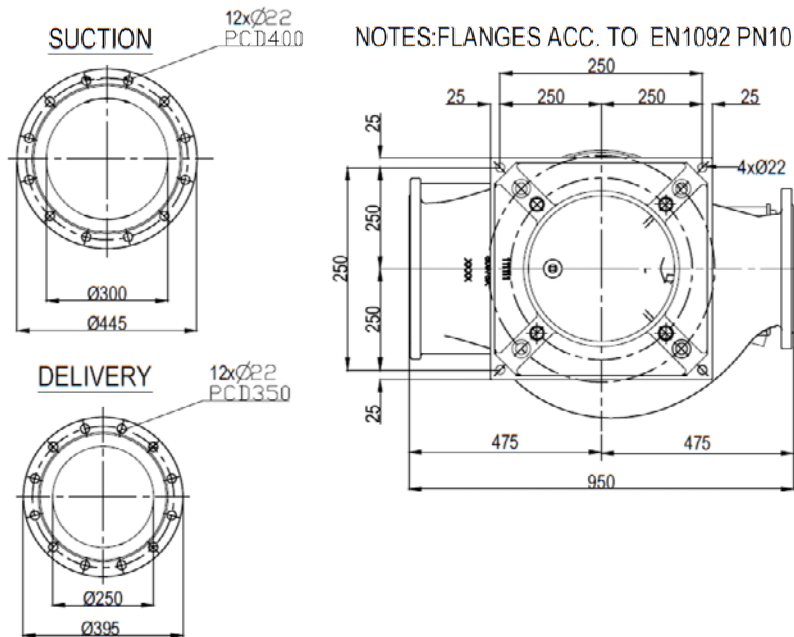


DSL150-265 with heavy bracket

NOTES: FLANGES ACC. TO EN1092 PN16

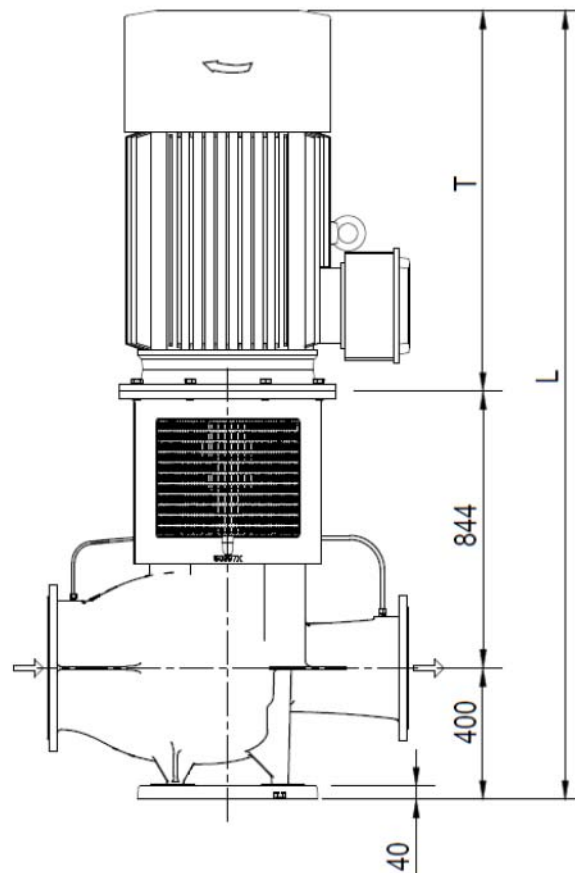
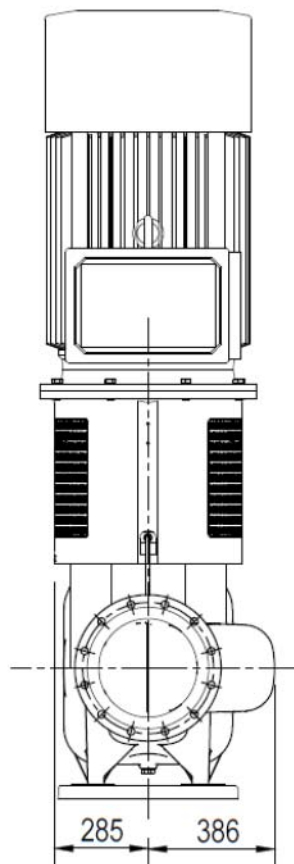
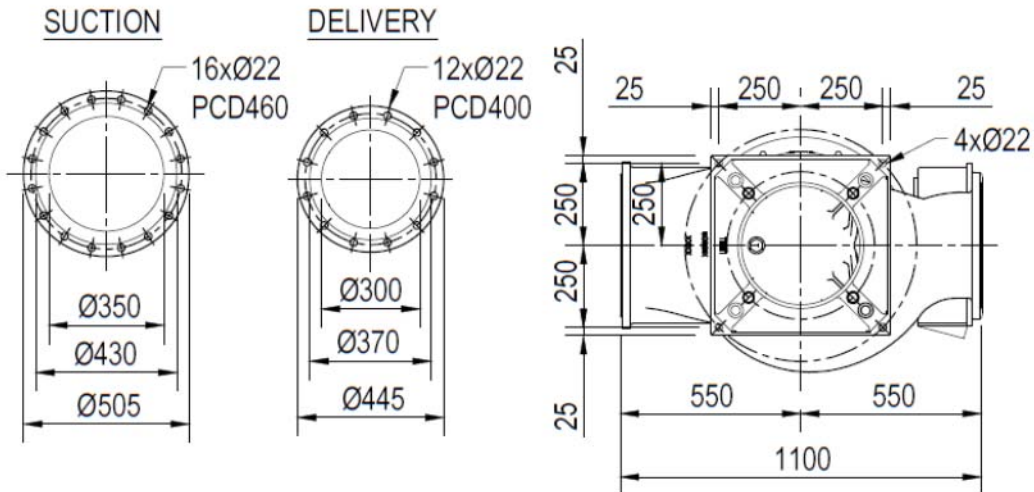


16.2 LAYOUT DRAWING OF DSL250-310/-G

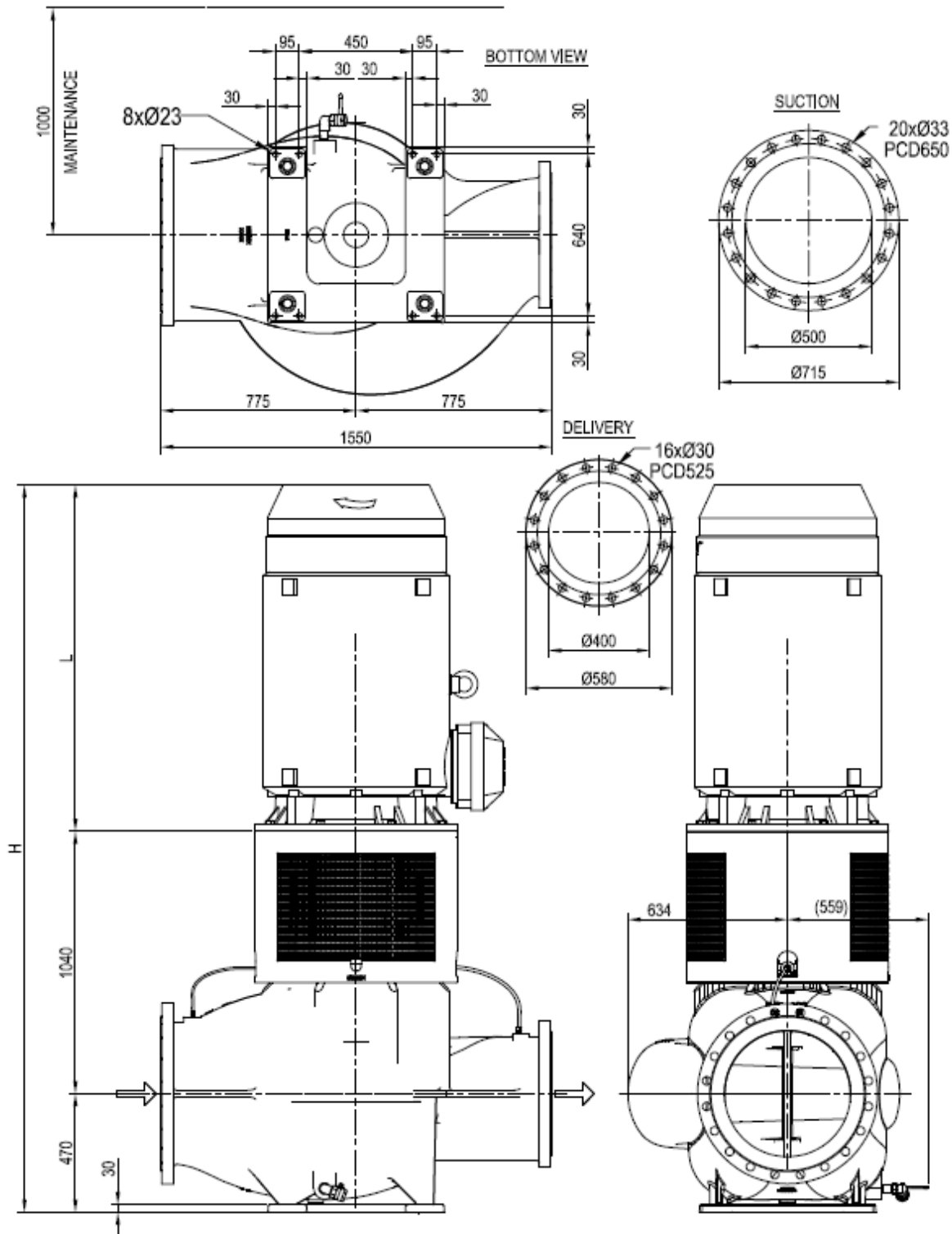


16.3 LAYOUT DRAWING OF DSL300-320/-G

NOTES: FLANGES ACC. TO EN1092 PN10

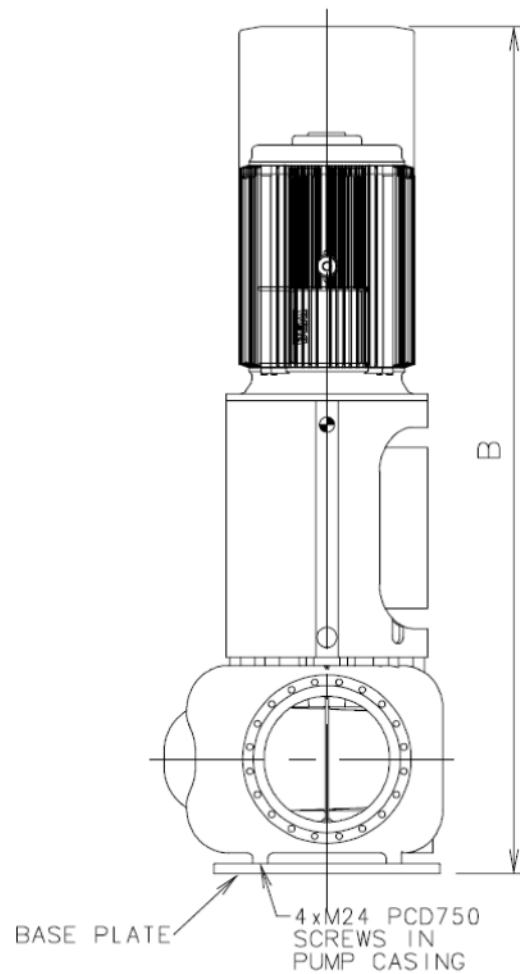
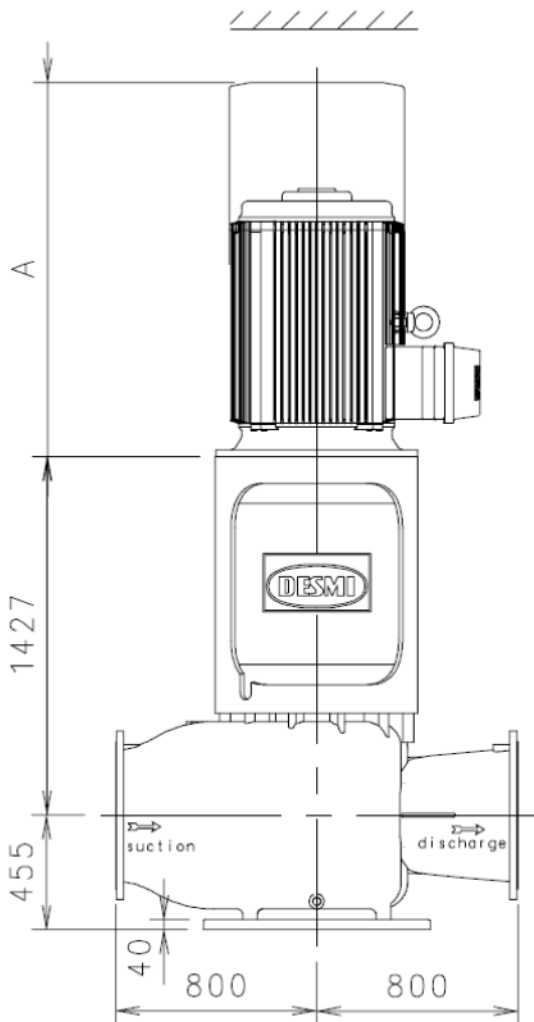
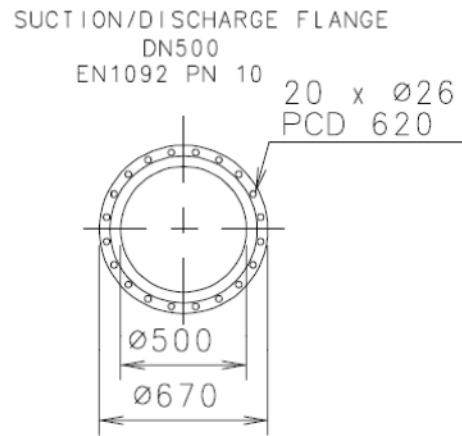
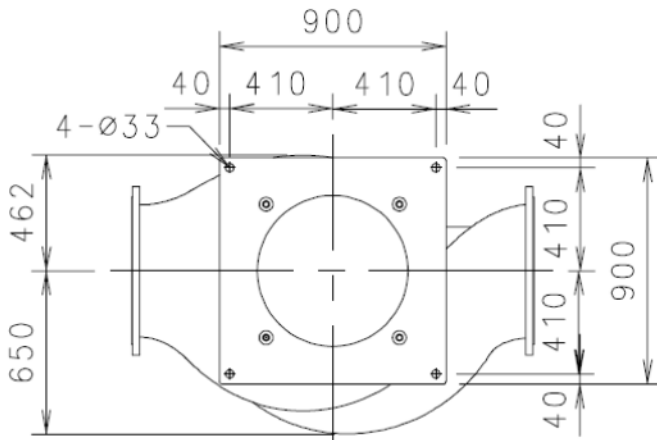


16.4 LAYOUT DRAWING OF DSL400-498/-G-I

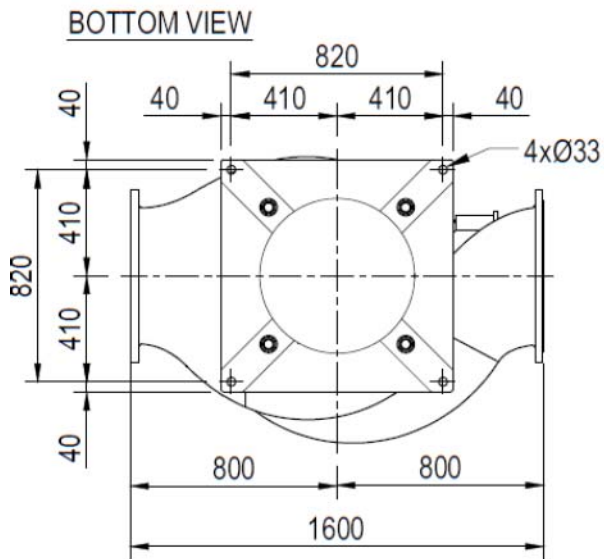


NOTES: FLANGES ACC. TO EN1092 PN16

16.5 LAYOUT DRAWING OF DSL500-515/-A



16.6 LAYOUT DRAWING OF DSL500-515/-F



NOTES: FLANGES ACC. TO EN1092 PN10

