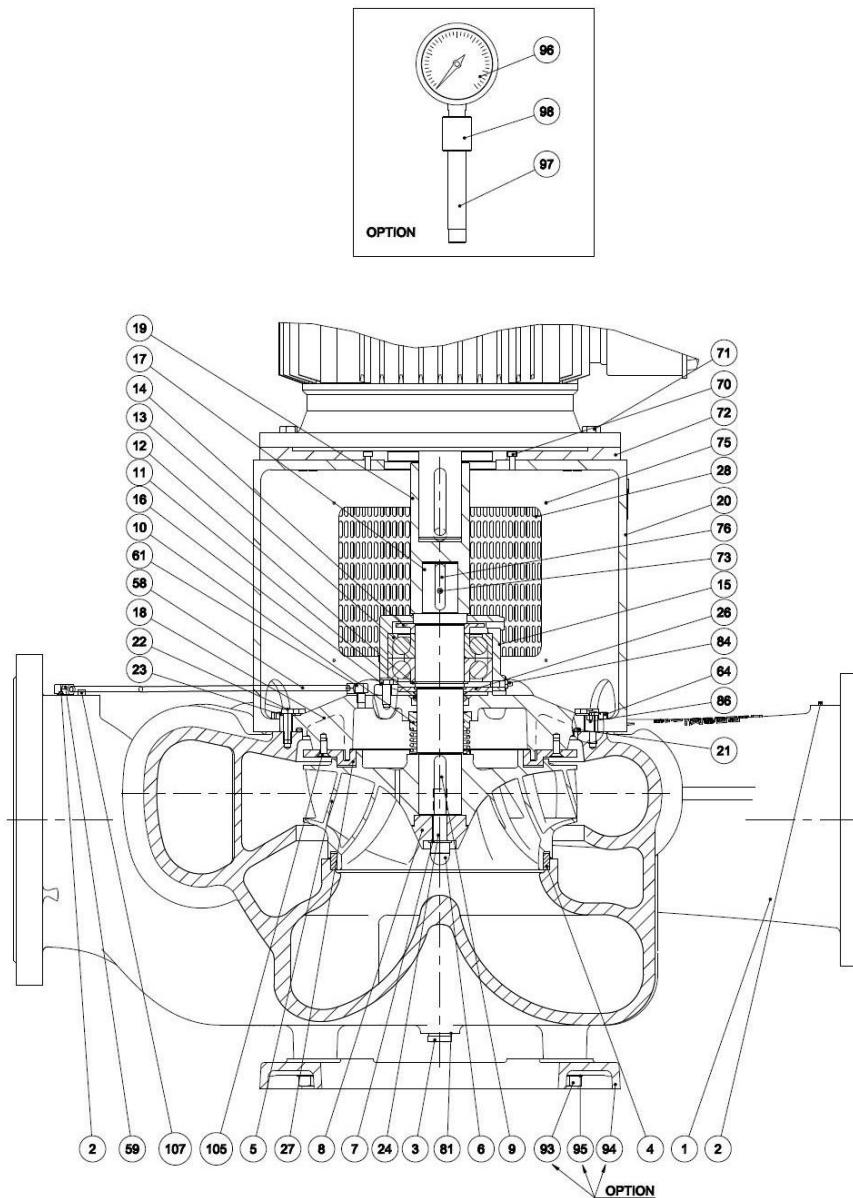


## 23. ASSEMBLY DRAWING NSL300-418 02-COMB.

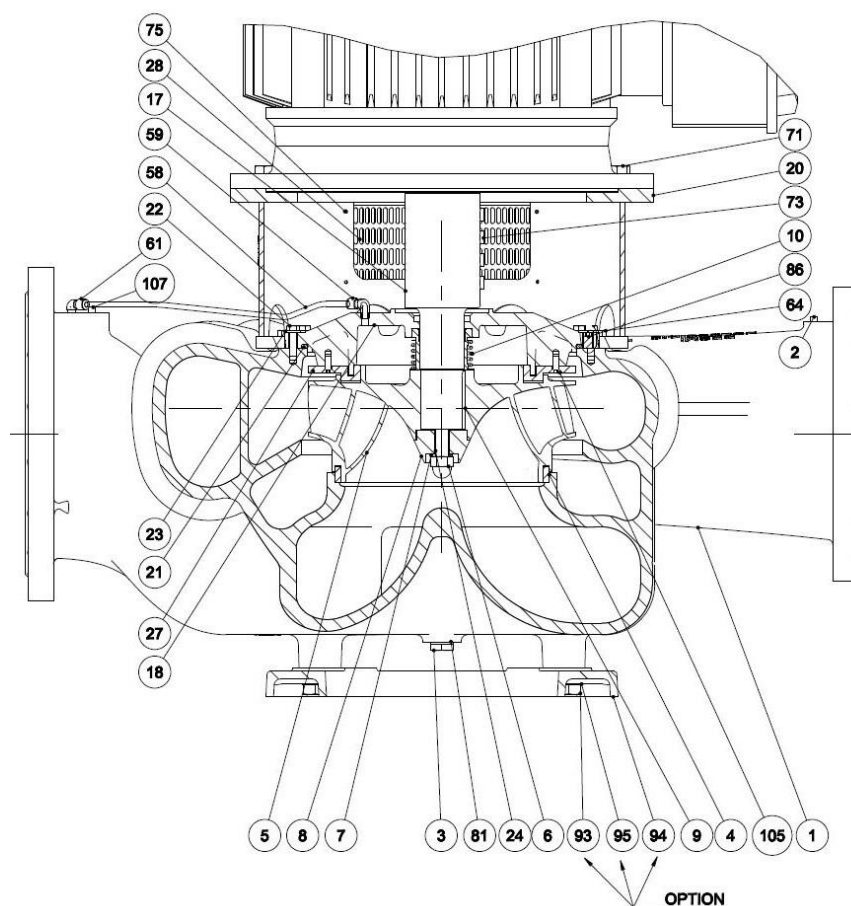
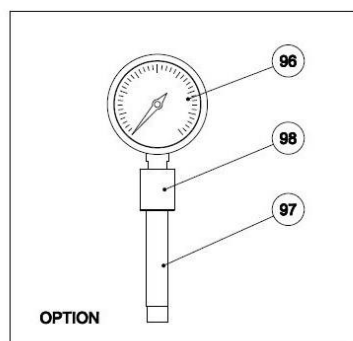
## 24. SPARE PARTS LIST NSL300-418 02-COMB.



- |     |                     |
|-----|---------------------|
| 1   | Pump casing         |
| 2   | Pipe plug           |
| 3   | Pipe plug           |
| 4   | Sealing ring        |
| 5   | Impeller            |
| 6   | Cap nut             |
| 7   | Spring collar       |
| 8   | Inlet cone          |
| 9   | Sunk key            |
| 10  | Mech. shaft seal    |
| 11  | Water deflector     |
| 12  | Ring lock           |
| 13  | Ball bearing        |
| 14  | Grease valve ring   |
| 15  | Bearing cover       |
| 16  | Set screw           |
| 17  | Shaft               |
| 18  | Shaft seal cover    |
| 19  | Coupling            |
| 20  | Motor bracket       |
| 21  | O-ring              |
| 22  | Set screw           |
| 23  | Lock washer         |
| 24  | Stud                |
| 26  | Cover under bearing |
| 27  | Sealing ring 2      |
| 28  | Guard               |
| 58  | Copper pipe         |
| 59  | Hexagon nipple      |
| 61  | Hexagon nipple      |
| 64  | Set screw           |
| 70  | Allen screw         |
| 71  | Set screw           |
| 72  | Intermediate flange |
| 73  | Pointed screw       |
| 75  | INSEX-screw         |
| 76  | Sunk key            |
| 81  | Sealing washer      |
| 84  | Lubricator nipple   |
| 86  | Pointed screw       |
| 93  | Set screw           |
| 94  | Base plate          |
| 95  | Lock washer         |
| 96  | Manometer           |
| 97  | Nipple              |
| 98  | Sleeve              |
| 105 | Countersunk screw   |
| 107 | Pipe plug           |

## 25. ASSEMBLY DRAWING NSL300-418 12-COMB.

## 26. SPARE PARTS LIST NSL300-418 12-COMB.

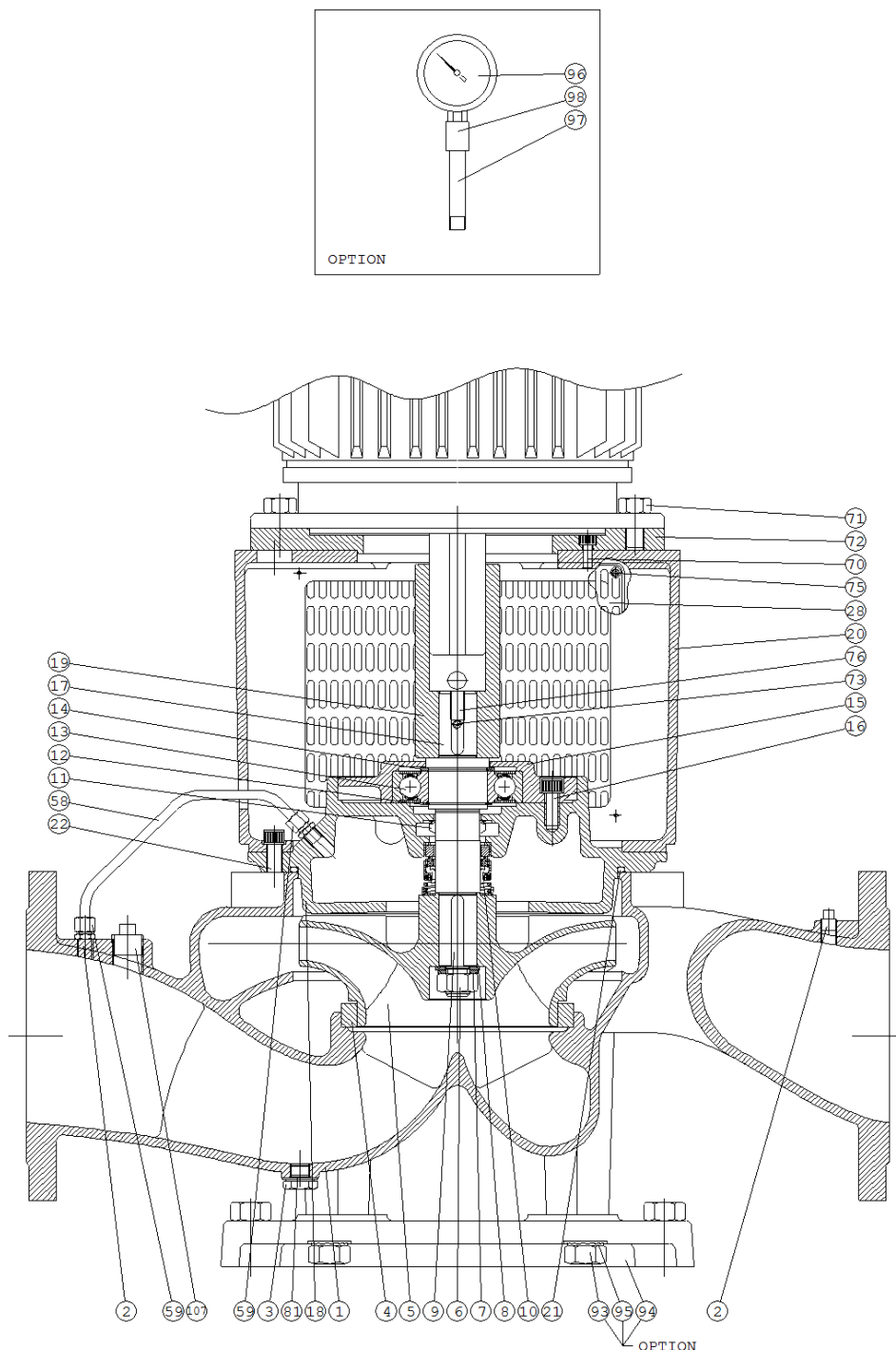


- |     |                   |
|-----|-------------------|
| 1   | Pump casing       |
| 2   | Pipe plug         |
| 3   | Pipe plug         |
| 4   | Sealing ring      |
| 5   | Impeller          |
| 6   | Cap nut           |
| 7   | Spring collar     |
| 8   | Inlet cone        |
| 9   | Sunk key          |
| 10  | Mech. shaft seal  |
| 17  | Shaft             |
| 18  | Shaft seal cover  |
| 20  | Motor bracket     |
| 21  | O-ring            |
| 22  | Set screw         |
| 23  | Lock washer       |
| 24  | Stud              |
| 27  | Sealing ring 2    |
| 28  | Guard             |
| 58  | Copper pipe       |
| 59  | Hexagon nipple    |
| 64  | Set screw         |
| 71  | Set screw         |
| 73  | Pointed screw     |
| 75  | INSEX-screw       |
| 81  | Sealing washer    |
| 86  | Pointed screw     |
| 93  | Set screw         |
| 94  | Base plate        |
| 95  | Lock washer       |
| 96  | Manometer         |
| 97  | Nipple            |
| 98  | Sleeve            |
| 105 | Countersunk screw |
| 107 | Pipe plug         |

## 15. ASSEMBLY DRAWING ø215/265 02-COMB.

## 16. SPARE PARTS LIST ø215/265 02-COMB.

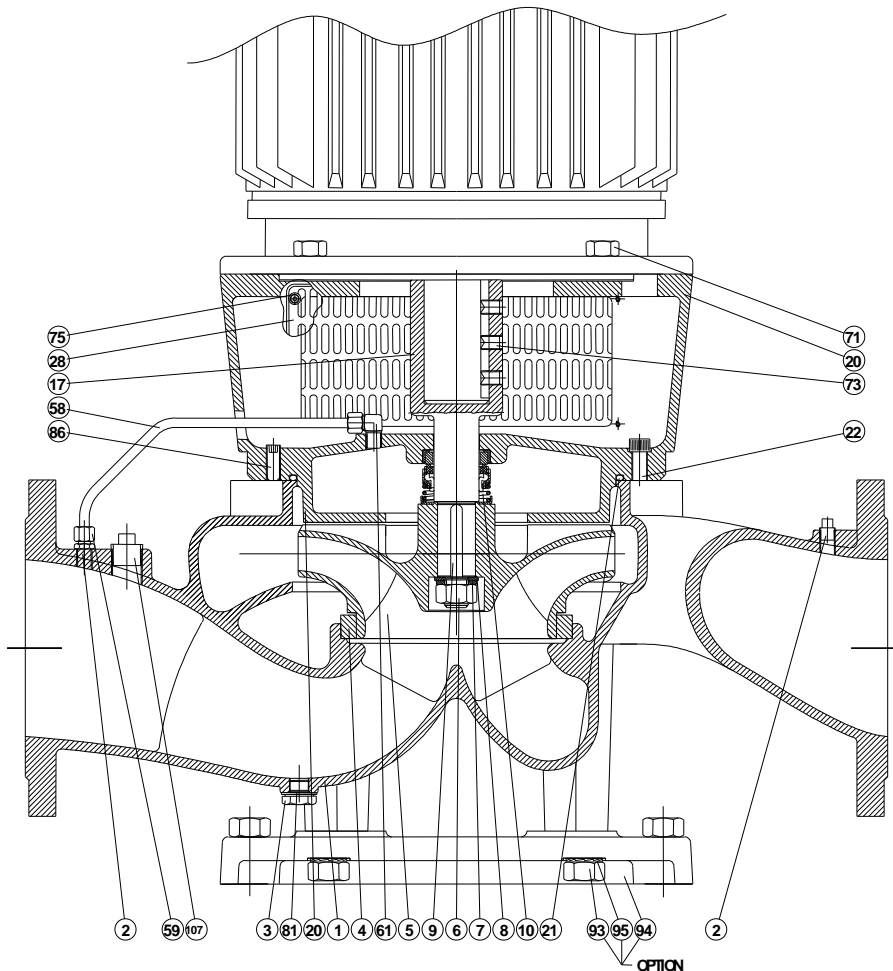
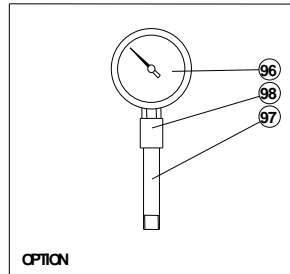
See ø330/415/525 pump on the next pages



- 1 Pump casing
- 2 Pipe plug
- 3 Pipe plug
- 4 Sealing ring
- 5 Impeller
- 6 Nut
- 7 Spring collar
- 8 Washer
- 9 Sunk key
- 10 Shaft seal
- 11 Water deflector
- 12 Ring lock
- 13 Ball bearing
- 14 Support disc
- 15 Bearing cover
- 16 Allen screw
- 17 Shaft
- 18 Shaft seal cover
- 19 Coupling
- 20 Motor bracket
- 21 O-ring
- 22 Allen screw
- 28 Guard
- 58 Copper pipe
- 59 Hexagon nipple
- 70 Allen screw
- 71 Set screw
- 72 Intermediate flange
- 73 Pointed screw
- 75 INSEX-screw
- 76 Sunk key
- 81 Sealing washer
- 93 Set screw
- 94 Base plate
- 95 Lock washer
- 96 Manometer
- 97 Nipple
- 98 Sleeve
- 107 Pipe plug

## 17. ASSEMBLY DRAWING Ø215/265 12-COMB.

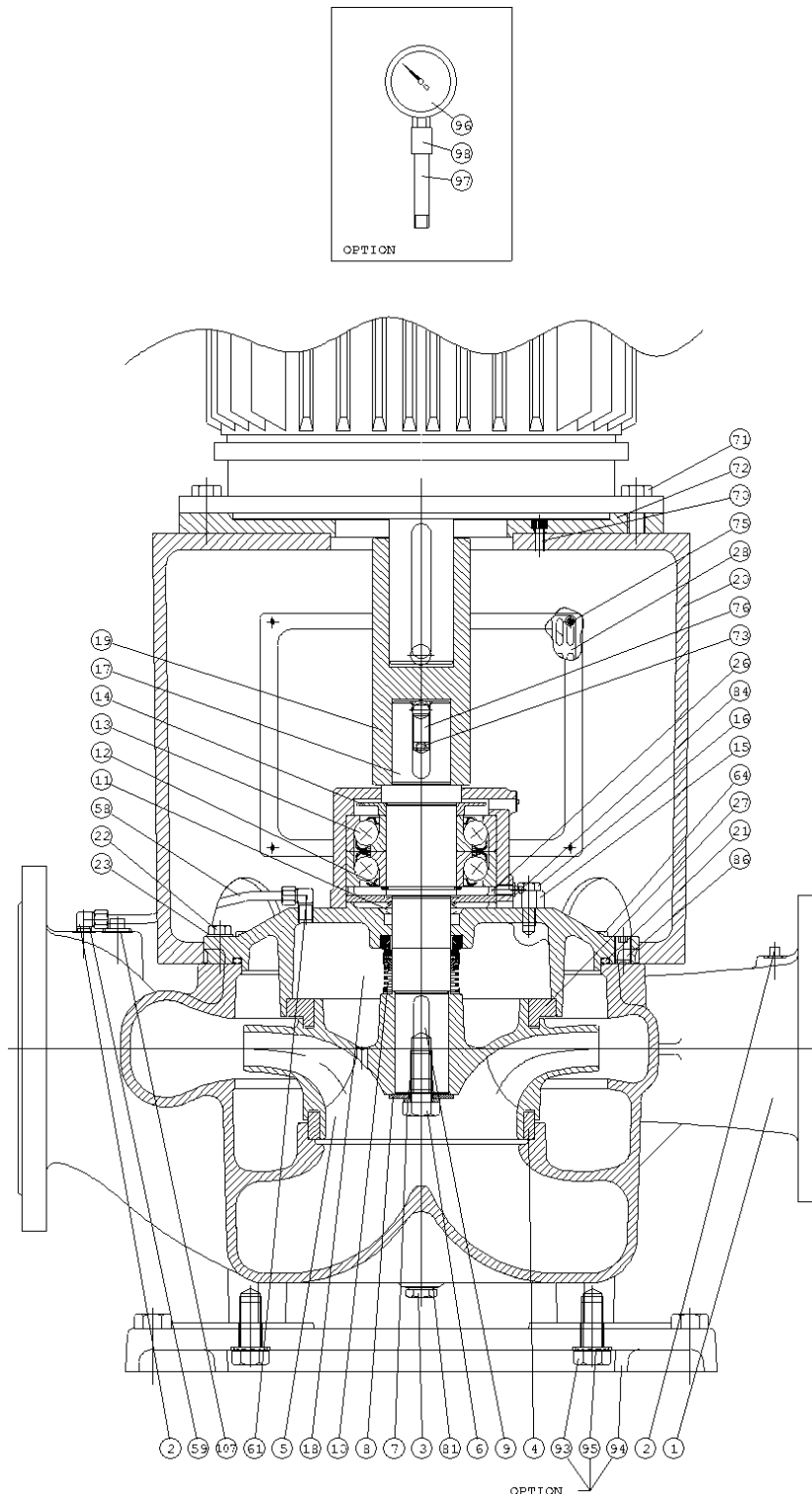
## 18. SPARE PARTS LIST Ø215/265 12-COMB.



- 1 Pump casing
- 2 Pipe plug
- 3 Pipe plug
- 4 Sealing ring
- 5 Impeller
- 6 Nut
- 7 Spring collar
- 8 Washer
- 9 Sunk key
- 10 Mech. shaft seal
- 17 Shaft
- 20 Motor bracket
- 21 O-ring
- 22 Allen screw
- 28 Guard
- 58 Copper pipe
- 59 Hexagon nipple
- 71 Set screw
- 73 Pointed screw
- 75 INSEX-screw
- 81 Sealing washer
- 93 Set screw
- 94 Base plate
- 95 Lock washer
- 96 Manometer
- 97 Nipple
- 98 Sleeve
- 107 Pipe plug

## 19. ASSEMBLY DRAWING Ø330/415/525 02-COMB.

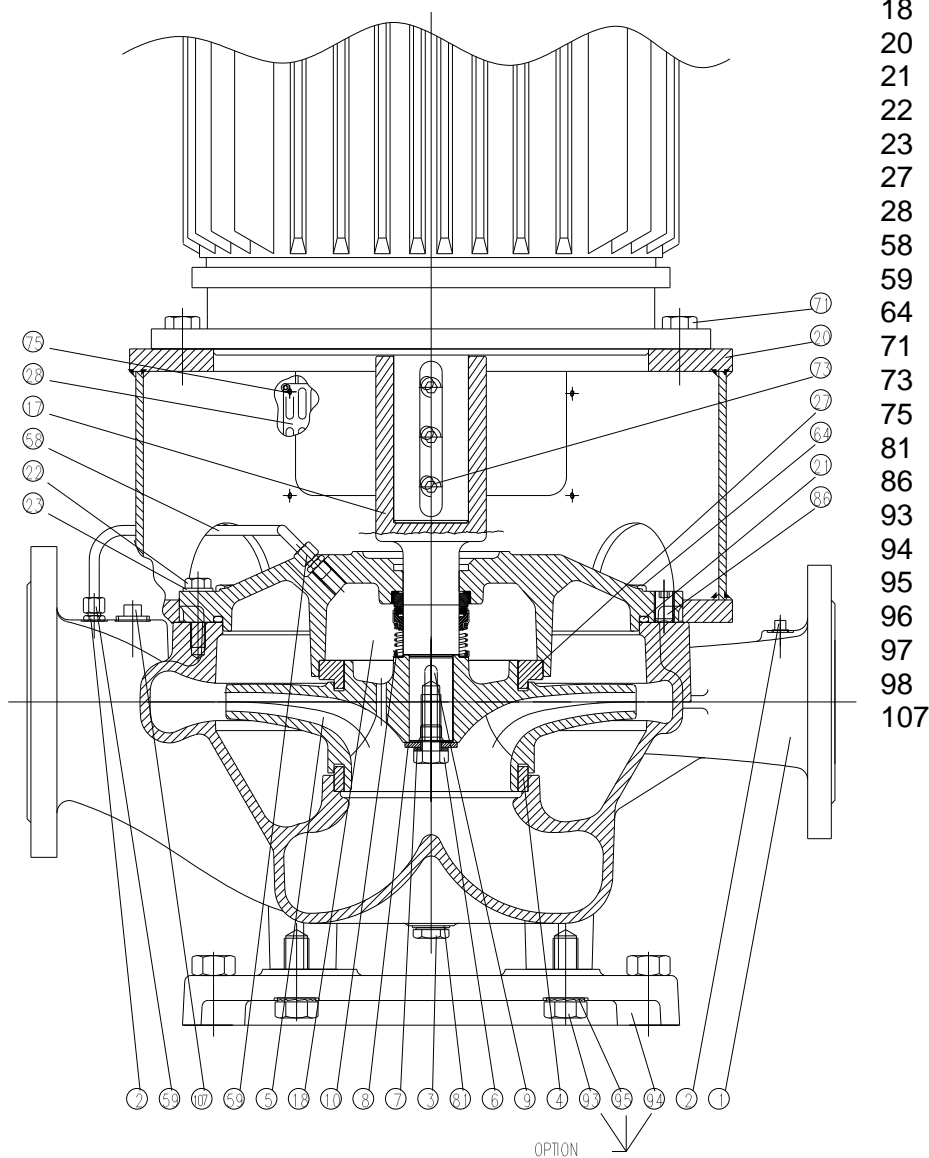
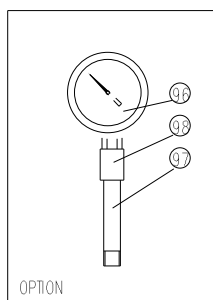
## 20. SPARE PARTS LIST Ø330/415/525 02-COMB.



- |     |                     |
|-----|---------------------|
| 1   | Pump casing         |
| 2   | Pipe plug           |
| 3   | Pipe plug           |
| 4   | Sealing ring        |
| 5   | Impeller            |
| 6   | Set screw           |
| 7   | Spring collar       |
| 8   | Washer              |
| 9   | Sunk key            |
| 10  | Mech. shaft seal    |
| 11  | Water deflector     |
| 12  | Ring lock           |
| 13  | Ball bearing        |
| 14  | Grease valve ring*  |
| 15  | Bearing cover       |
| 16  | Set screw           |
| 17  | Shaft               |
| 18  | Shaft seal cover    |
| 19  | Coupling            |
| 20  | Motor bracket       |
| 21  | O-ring              |
| 22  | Set screw           |
| 23  | Lock washer         |
| 26  | Cover under bearing |
| 27  | Sealing ring 2      |
| 28  | Guard               |
| 58  | Copper pipe         |
| 59  | Hexagon nipple      |
| 61  | Hexagon nipple      |
| 64  | Set screw           |
| 70  | Allen screw         |
| 71  | Set screw           |
| 72  | Intermediate flange |
| 73  | Pointed screw       |
| 75  | INSEX-screw         |
| 76  | Sunk key            |
| 81  | Sealing washer      |
| 84  | Lubricator nipple   |
| 86  | Pointed screw       |
| 93  | Set screw           |
| 94  | Base plate          |
| 95  | Lock washer         |
| 96  | Manometer           |
| 97  | Nipple              |
| 98  | Sleeve              |
| 107 | Pipe plug           |
- \*) Support disc in light bearing housing

## 21. ASSEMBLY DRAWING ø330/415/525 12-COMB.

## 22. SPARE PARTS LIST ø330/415/525 12-COMB.



- |     |                  |
|-----|------------------|
| 1   | Pump casing      |
| 2   | Pipe plug        |
| 3   | Pipe plug        |
| 4   | Sealing ring     |
| 5   | Impeller         |
| 6   | Set screw        |
| 7   | Spring collar    |
| 8   | Washer           |
| 9   | Sunk key         |
| 10  | Mech. shaft seal |
| 17  | Shaft            |
| 18  | Shaft seal cover |
| 20  | Motor bracket    |
| 21  | O-ring           |
| 22  | Set screw        |
| 23  | Lock washer      |
| 27  | Sealing ring 2   |
| 28  | Guard            |
| 58  | Copper pipe      |
| 59  | Hexagon nipple   |
| 64  | Set screw        |
| 71  | Set screw        |
| 73  | Pointed screw    |
| 75  | INSEX-screw      |
| 81  | Sealing washer   |
| 86  | Pointed screw    |
| 93  | Set screw        |
| 94  | Base plate       |
| 95  | Lock washer      |
| 96  | Manometer        |
| 97  | Nipple           |
| 98  | Sleeve           |
| 107 | Pipe plug        |