

ESL & ESLH

High-Efficiency Vertical In-line and End-suction Single-stage Centrifugal Pumps

DESMI ESL centrifugal pumps are designed for special industrial applications and meet the requirements for:

- Low maintenance costs
- High efficiency
- Low NPSH
- High configuration flexibility
- Installation and serviceability

Nominal diameter (DN)	25 to 100
Flow rate	Up to 225 m ³ /h (990 US gpm)
Head	Up to 65 m (213 ft)
Pressure	Up to 30 bar (435 psi)
Temperature	Up to 150°C (302°F)
Motor	Standard and EX motors
VFD	Direct or wall-mounted
Applications: Water, water with additives, seawater and oils up to 500 cSt.	



Design

ESL pumps are single-stage centrifugal pumps with connecting flanges according to international standards. Further the pumps can be fitted with electric motors with flange dimensions also according to all international standards.

The pumps have been designed in such a way that access to all rotating parts is possible without removing the pump casing from the piping.

All ESL pumps are equipped with mechanical shaft seal of an approved brand.

The impellers are with double curved blades, which ensure high efficiency and low NPSH values.

A Variety of Industrial Applications

- Hot water circulation
- Fresh water circulation
- HVAC
- Hydrophore pump
- Cooling water

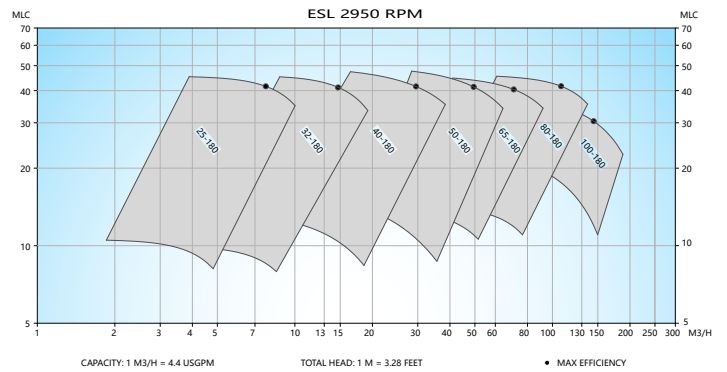
The pump can be equipped with an air-driven or electrically driven priming device.

For more information on Industry solutions, please visit www.desmi.com

DESMI

Material specification

Materials	A	D	S
Pump casing	Cast Iron (GG20)	Bronze (RG5)	St. steel (1.4436)
Impeller	Bronze (RG10)	Bronze (RG10)	St. steel (1.4436)
Sealing ring	Bronze (RG10)	Bronze (RG10)	St. steel (1.4436)
Rear cover	Cast iron (GG20)	Bronze (RG10)	St. steel (1.4436)
Shaft	Duplex St. steel (1.4460)	Duplex St. steel (1.4460)	Duplex St. steel (1.4460)
Shaft seal	Mechanical	Mechanical	Mechanical



The pumps are also available in other materials such as impeller in ductile iron and various bronze alloys.

Design Details

ESL In-line Pumps with Ø 180 or Ø 190 Impeller

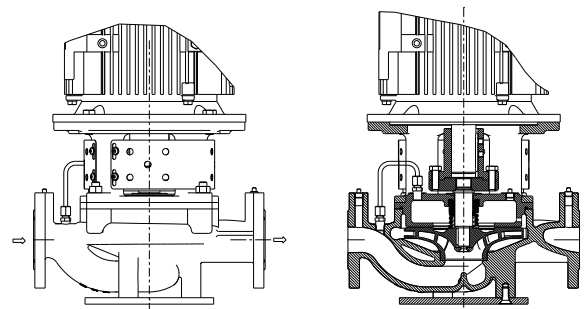
The dimension of the suction flange is identical with the dimension of the discharge flange. The line through inlet and outlet is flush with the centre line of the shaft. The pumps are equipped with one impeller wear ring.

ESLH Pumps with Ø 180 or Ø190 Impeller

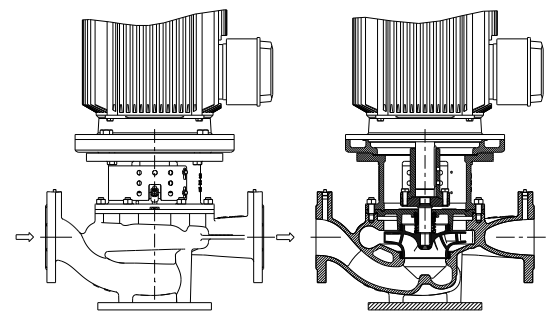
The dimension of the suction flange is larger than that of the discharge flange. The line through inlet and outlet is flush with the centre line of the shaft. The pumps are equipped with two impeller wear rings.

Monobloc without Bearings

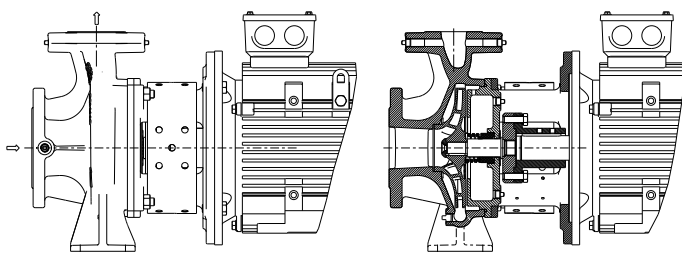
A sturdy standard pump for clean liquids. Compact design because the rear cover is part of the motor bracket. Dismantling of rotating parts is possible without removing the pump casing from the piping. The ESL in-line pump can be mounted horizontally on request.



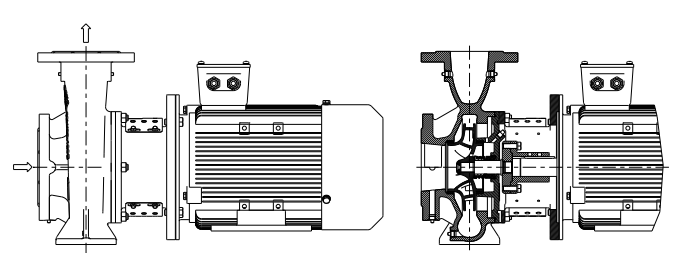
ESL 25-32-40-50



ESL 65-80-100



ESLH 25-32-40-50



ESLH 65-80-100