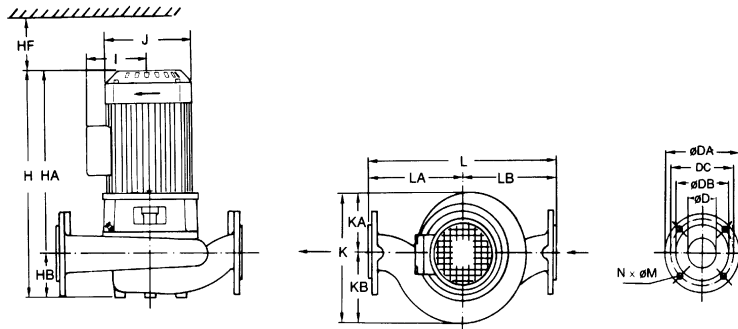


## 23.DIMENSIONAL SKETCH ESL



	Type	TN	Flange	D mm	DA mm	DB mm	DC mm	H Max. mm	HA Max. mm	HB mm	HF Min. mm	I Max. mm	J Max. mm	K mm	KA mm	KB mm	L mm	LA mm	LB mm	N x M mm
1	ESL25- 180	10	1" 25 mm	25	115	68	85	754	644	110	60	240	275	220	110	110	300	150	150	4xø14
2	ESL40-180N	10	1½" 40 mm	40	150	90	110	878	778	100	60	285	320	244	116	128	360	180	180	4xø18
3	ESL40- 180	10	1½" 40 mm	40	150	90	110	960	840	120	60	285	320	253	118	135	350	175	175	4xø18
4	ESL50-180N	10	2" 50 mm	50	165	102	125	878	780	98	60	285	320	260	123	137	400	200	200	4xø18
5	ESL50- 180	10	2" 50 mm	50	165	102	125	935	830	105	60	285	320	267	145	122	400	200	200	4xø18
6	ESL65- 180	10	2½" 65 mm	65	185	122	145	878	828	155	100	285	320	295	137	158	440	220	220	4xø18
7	ESL65- 180M	10	2½" 65 mm	65	185	122	145	878	828	155	100	285	320	295	137	158	440	220	220	4xø18
8	ESL80- 180	10	3" 80 mm	80	200	138	160	966	830	136	120	285	320	320	150	170	480	240	240	8xø18
9	ESL80- 180N	10	3" 80 mm	80	200	138	160	990	830	160	120	285	320	310	140	170	480	240	240	8xø18
10	ESL80- 180B	10	3" 80 mm	80	200	138	160	966	830	136	120	285	320	320	150	170	480	240	240	8xø18
11	ESL80- 180E	10	3" 80 mm	80	200	138	160	990	830	160	120	285	320	310	140	170	480	240	240	8xø18
12	ESL100- 180	10	4" 100mm	100	220	158	180	1003	833	170	140	285	320	350	160	190	540	270	270	8xø18
13	ESL100- 180N	10	4" 100mm	100	220	158	180	1003	833	170	140	285	320	350	160	190	540	270	270	8xø18

Table with thread sizes of manometer, drain and vent plug hole (if any) on the next page.