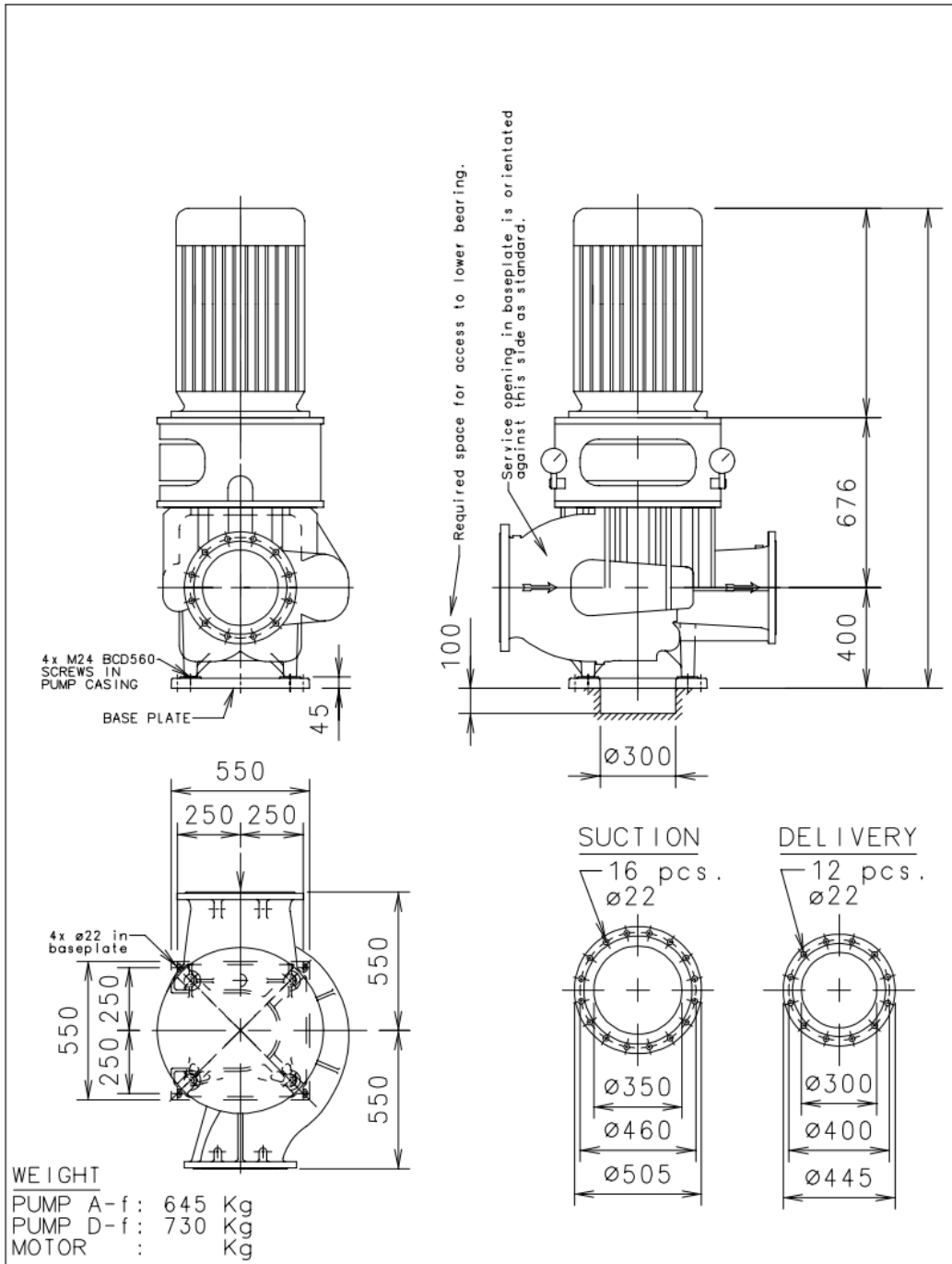


WHERE MEASUREMENTS ARE CRITICAL REQUEST DRAWINGS

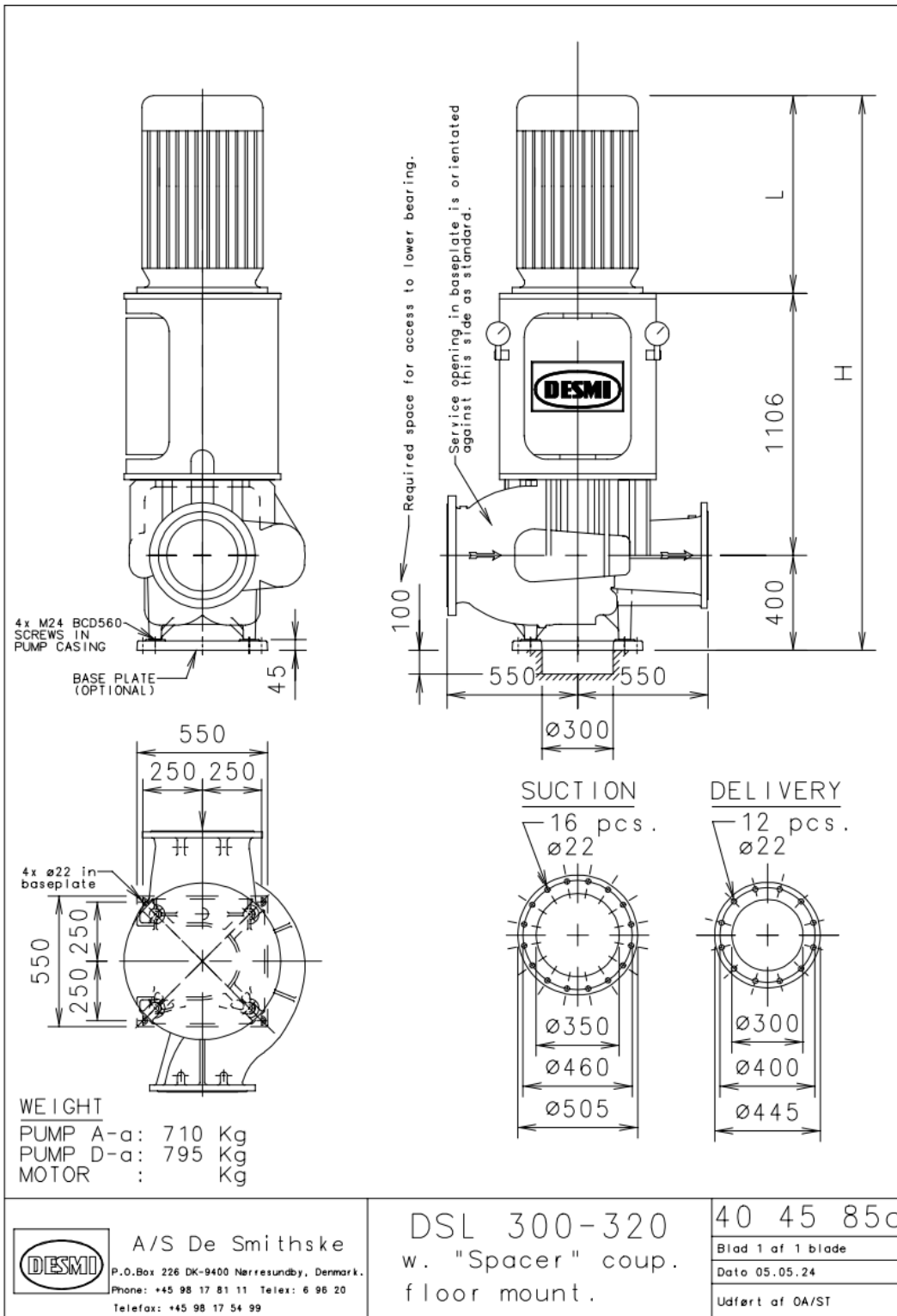


 <p>A/S De Smithske P.O.Box 226 DK-9400 Nørresundby, Denmark. Phone: +45 98 17 81 11 Telex: 6 96 20 Telefax: +45 98 17 54 99</p>	DSL 300-320/-f	40 45 59b
	WITH "Compact" coup.	Blad 1 af 1 blade
	floor mount	Data 05.05.24
		Udført af OA/ST

Subject to alterations

© DESMI

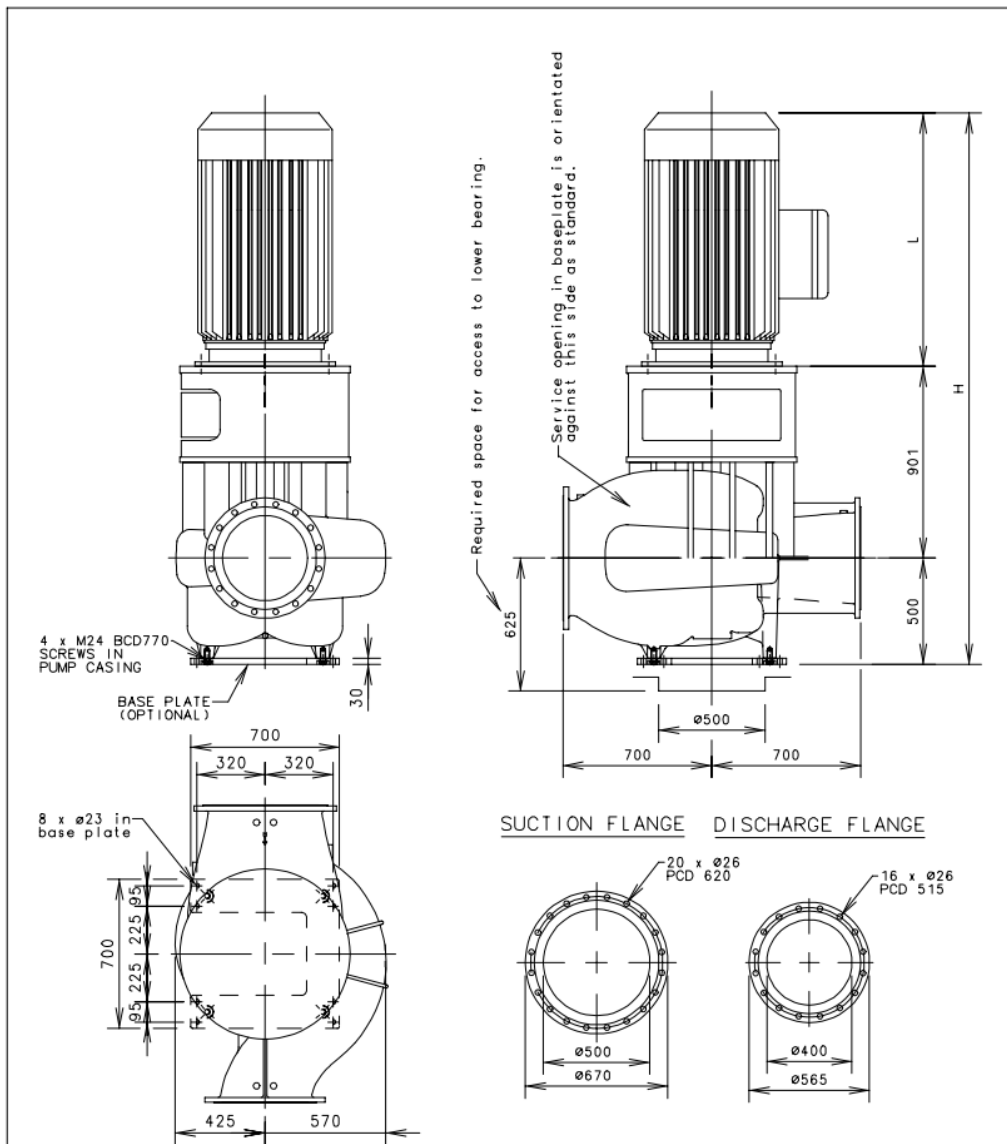
WHERE MEASUREMENTS ARE CRITICAL REQUEST CERTIFIED DRAWINGS



Subject to alterations

© DESMI

WHERE MEASUREMENTS ARE CRITICAL REQUEST CERTIFIED DRAWINGS



WEIGHT

PUMP A-f : 1240 Kg
 PUMP D-f : 1400 Kg
 MOTOR : Kg



A/S De Smithske

P.O. Box 226 DK-9400 Nørresundby, Denmark.
 Phone: +45 98 17 81 11 Telex: 6 96 20
 Telefax: +45 98 17 54 99

DSL 400-4 x x
 w. "Compact" coup.
 floor mount

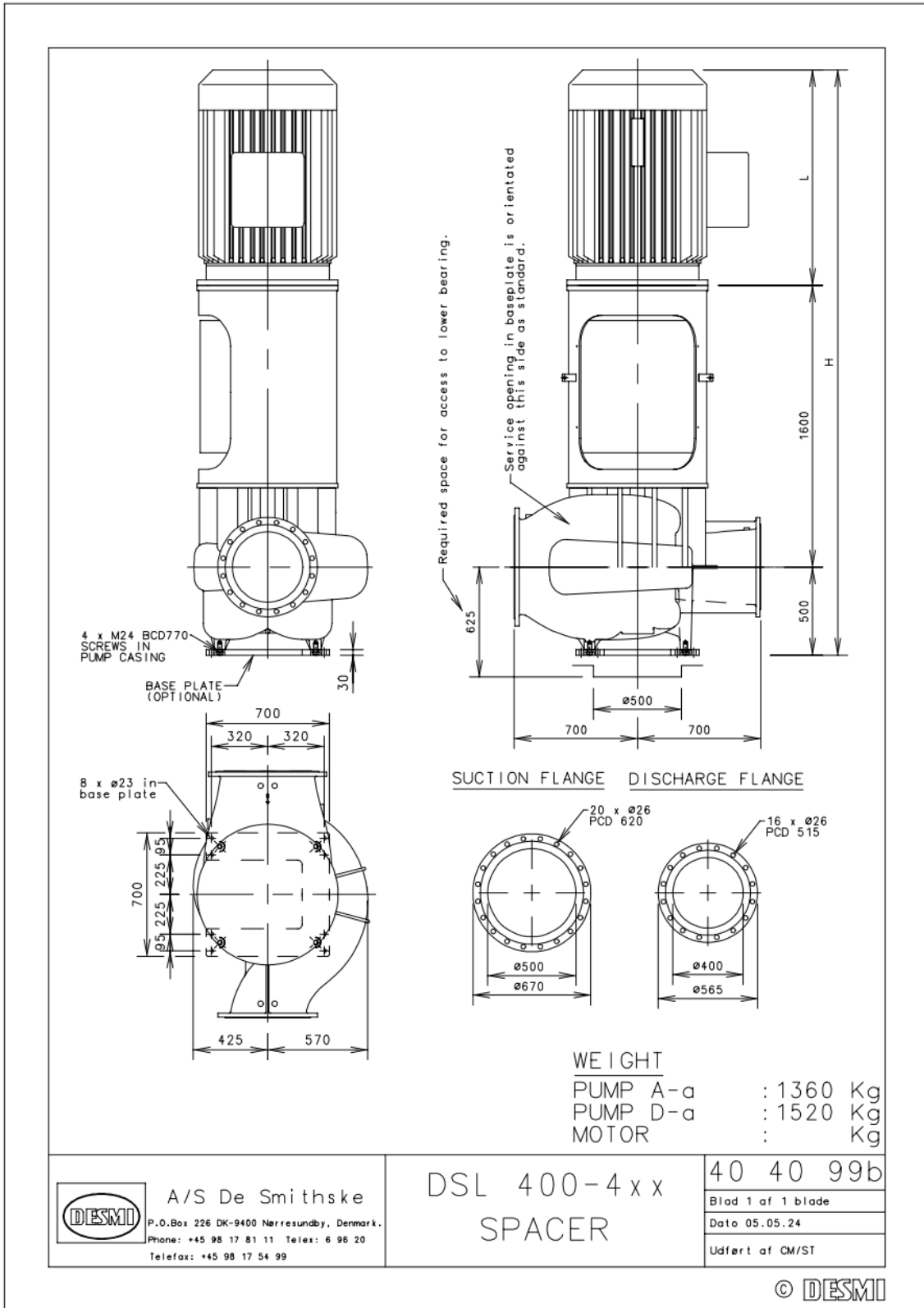
40 40 92b

Blad 1 af 1 blade

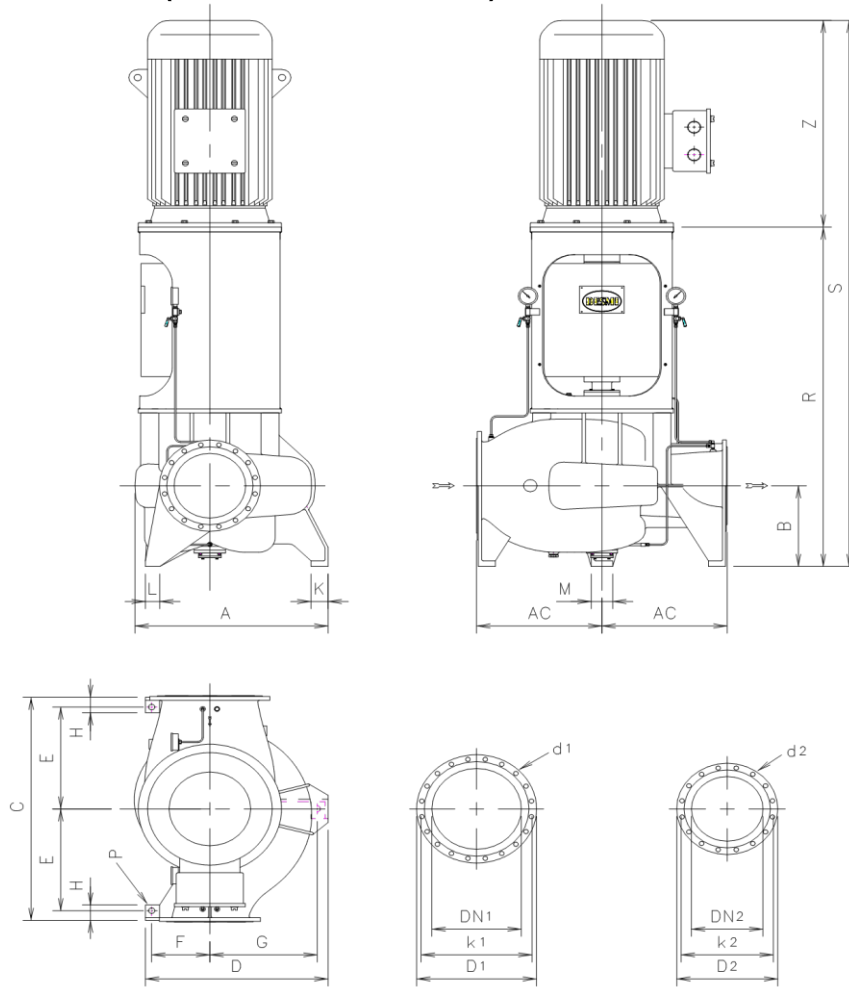
Dato 05.05.24

Udført af JKJ/ST

© DESMI



16. DIMENSIONAL SKETCH (DESIGN BEFORE 2006)



	A	B	AC	C	D	E	F	G	H	K	L	M	R	Z	S	P
DSL 300-320	820	400	550	1072	750	490	111	450	75	70	65	90	1506 (1) 1099 (2)	(3)	R+Z	ø 28
DSL 400-430	1078	500	700	1380	1020	630	325	600	95	95	80	120	2100 (1) 1401 (2)	(3)	R+Z	ø 35
DSL 400-495	1078	500	700	1380	1020	630	325	600	95	95	80	120	2100 (1) 1401 (2)	(3)	R+Z	ø 35

(1 : Spacer design.

(2 : Compact design,

(3 : Dependent on motor.

PUMP	DNI	KI	DI	DI	DN2	k2	D2	d2
DSL300-320	350	460	505	16 pcs ø22	300	400	445	12 pcs ø22
DSL 400-430	500	620	670	20 pcs ø26	400	515	565	16 pcs ø26
DSL 400-495	500	620	670	20 pcs ø26	400	515	565	16 pcs ø26