

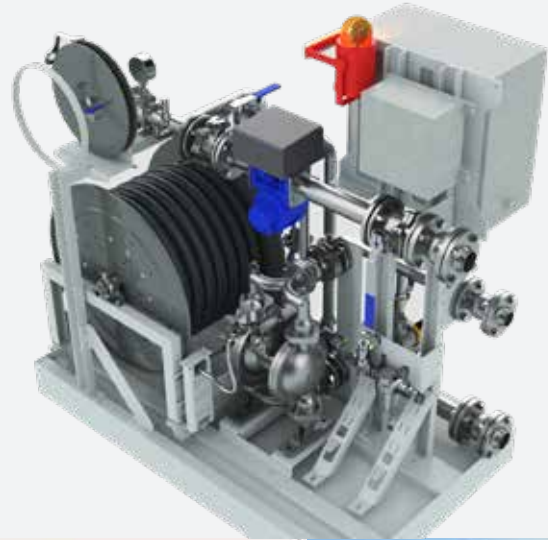
DES 340 – 365 BASIC

The DES 340 – 365 BASIC dispenser modules consist of only the essential parts to refuel / defuel helicopters with JP-5 (F-44).

The modules are capable to deliver dry/clean-filtered JP-5 fuel into a helicopter with different fueling options.

Following sizes of dispenser modules appears below:

- DES 340 – BASIC
- DES 350 – BASIC
- DES 365 – BASIC



The modules can either be built according to DNV GL (RU-SHIP), ABS or Lloyd's Register rules. The system consists generally of the following main components:

- 1 x Hose reel
- 1 x 37-meter non-collapsible aviation fuel hose
- 1 x Flushing line for gravity- and underwing nozzle
- 1 x 37-meter bonding reel
- 1 x Bulk meter
- 1 x Air driven membrane pump for defueling (up to 160 L/min)
- 1 x Pressure reducing valve
- 1 x Sample point
- 1 x Deadman handle
- 1 x Dispenser Control Panel (DCP) with 12" HMI touch display
- 1 x Set of nozzles (Gravity- & Underwing nozzle)
- Instrumentations based on DESMI's recommendation
- 1 x Base frame with integrated spill tray

DES 340 - 365 BASIC

Technical Data:

Fuel Media:	JP-5 Fuel (NATO Code F-44)
Temperature Range:	Internal Compartment Range 0 - 48 °C
Working Pressure:	8,5 bar
EX-Protection Area:	Zone II

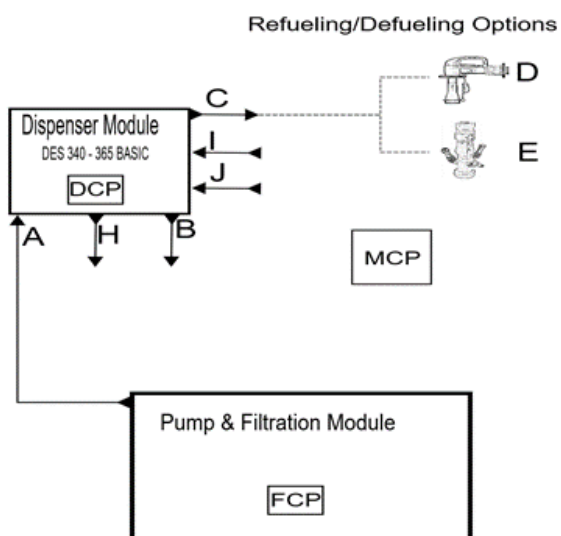
Flow rates:

- DES 340 - BASIC, Flow:
150 - 230 L/min, Main size: DN 40
- DES 350 - BASIC, Flow:
250 - 380 L/min, Main size: DN 50
- DES 365 - BASIC, Flow:
380 - 680 L/min, Main size: DN 65

Dimensions & weights:

- DES 340 - BASIC: Dimensions:
H x L x W = 1788 x 1300 x 1400
Weight = 800 kg
- DES 350 - BASIC: Dimensions:
H x L x W = 1788 x 1400 x 1500
Weight = 890 kg
- DES 365 - BASIC: Dimensions:
H x L x W = 1788 x 1550 x 1700
Weight = 1080 kg

Flow Chart:



Interfaces of Pump & Filtration Module

- A: Inlet aviation fuel service
- B: Outlet defuel
- C: Fuel delivery hose with nozzle connection
- D: Gravity nozzle
- E: Underwing nozzle
- H: Outlet flushing
- I: Inlet compressed air
- J: Inlet flushing