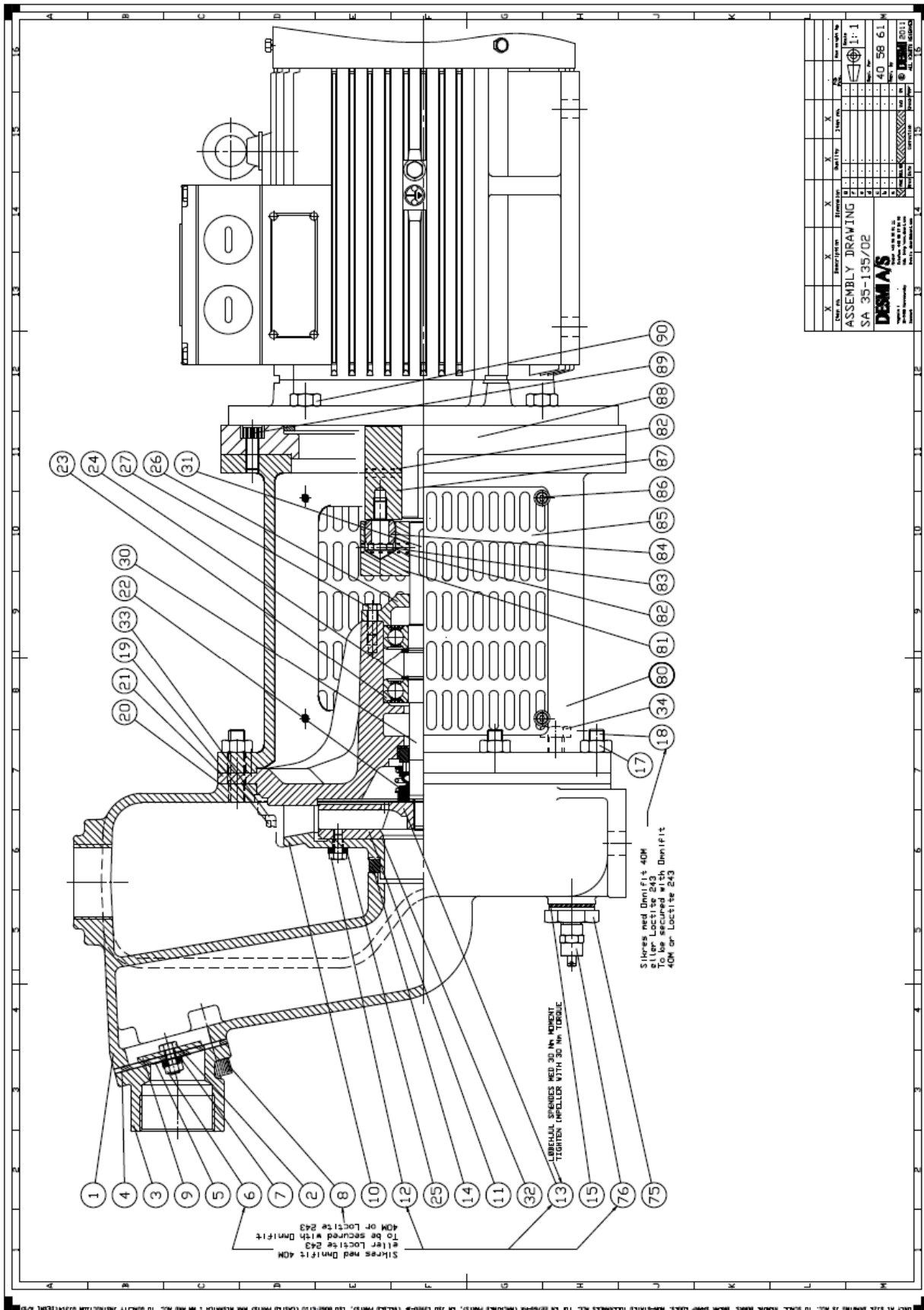
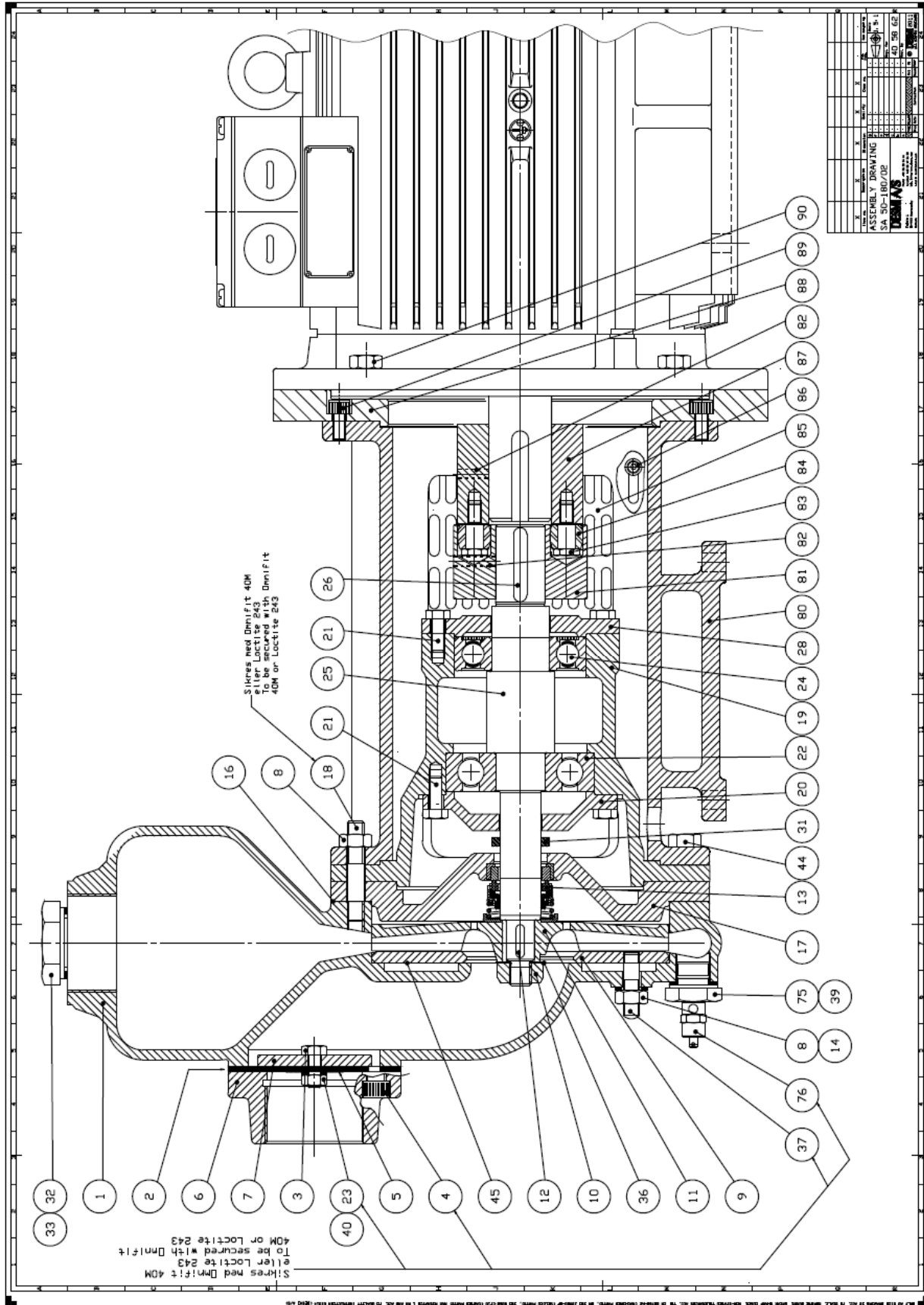


SA-25-122/12		
Pos.	Qty.	Description
1	1	Pump casing
2	1	Rear cover
3	1	Base plate
4	1	Guide vane piece
5	1	Impeller
6	1	Shaft
7	1	Stud
8	1	Nut
9	10	Set screw M 8X25
10	2	Set screw M 8X35
11	4	Set screw M 6X30
12	1	Mech. shaft seal \varnothing 25
14	1	Gasket
15	1	Rubber ring \varnothing 65/50X8
16	1	Plug 1/4"
17	1	Sealing washer 1/4"
19	1	Plug 3/8"
20	1	Sealing washer 3/8"
24	4	Spring washer M 8
25	4	Dube washer M 6
26	1	Adaptor flange
27	2	Point screw M 8X12

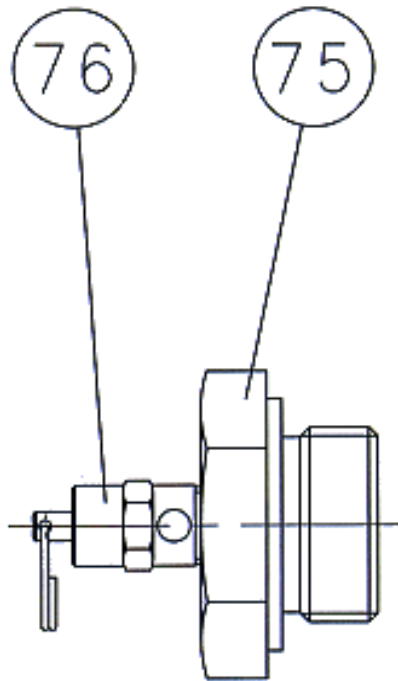


SA-35-135/02

Pos.	Qty.	Designation
1	1	Pump casing
2	1	Set screw M6x16
3	1	Suction piece
4	1	Clack valve
5	1	Washer
6	1	Nut M6
7	1	Dubo ring M6
8	4	Allen screw M10x25
9	1	Non return valve plate
10	1	Guide vane piece
11	1	Wear plate
12	4	Set screw M6x16
13	1	Impeller
14	1	Gasket
15	2	Dowty selon 1/2@ BSP
16	1	Pipe plug 1/2@ BSP
17	8	Nut M10
18	8	Stud M10x35
19	2	Set screw M6x20
19a	1	Set screw M6x40
20	1	Gasket
21	1	Bearing housing
22	1	Mech. shaft seal
23	2	Ball bearing 6304 RS
24	2	SS washer 20x28x2
25	4	Dubo ring M6
26	1	Cover
27	2	Set screw M6x16
30	1	Shaft
31	1	Sunk key 6x6x30
32	2	Shim
33	3	Dubo ring M6
34	2	Set screw M10x20
75	1	Pipe plug
76	1	Relief valve



SA-50-180/02		
Pos.	Qty.	Description
1	1	Pump casing
2	1	Check valve
3	1	Set screw M8x20
4	4	Allen screw M10x25
5	1	Clamp plate
6	1	Suction piece
7	1	Non return valve plate
8	8	Nut M10
9	1	Wear plate
10	1	Impeller nut 1/4" BSP
11	1	Impeller
12	1	Sunk key 5x5x20
13	1	Mech. shaft seal
14	3	Dubo ring M10
16	1	Gasket
17	1	Intermediate piece
18	8	Stud M10x50
19	1	Bearing housing
20	1	Cover
21	8	Set screw M8x20
22	1	Ball bearing 6406
23	1	Nut M8
24	1	Ball bearing 6307 RS
25	1	Shaft
26	1	Sunk key 7x8x45
28	1	Cover
31	1	Water deflector
32	1	Pipe plug 1" RG
33	1	Dowty selon 1" BSP
36	1	Lock nab
37	3	Stud M10x40
39	1	Dowty selon 1/2" BSP
40	1	Dubo ring M8
44	2	Set screw M10x30
45	2	Shim
75	1	Pipe plug 1/2" BSP
76	1	Relief valve



A/S De Smithske

P.O.Box 326 DK-9400 Nørresundby, Denmark.
Phone: +45 98 32 81 11
Telefax: +45 98 17 54 99

SIKKERHEDSVENTIL OG
AFTAPNINGSPROP TIL SA PUMPER
RELIEF VALVE AND
PLUG FOR SA PUMPS
ÜBERDRUCKVENTIL UND
STOPFEN FÜR SA PUMPEN

40 52 95

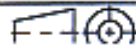
Blad 1 af 1 blade

Dato 88.08.05

Udført af HSJ

Scale

Subject to alterations



ALL RIGHTS RESERVED © DESMI