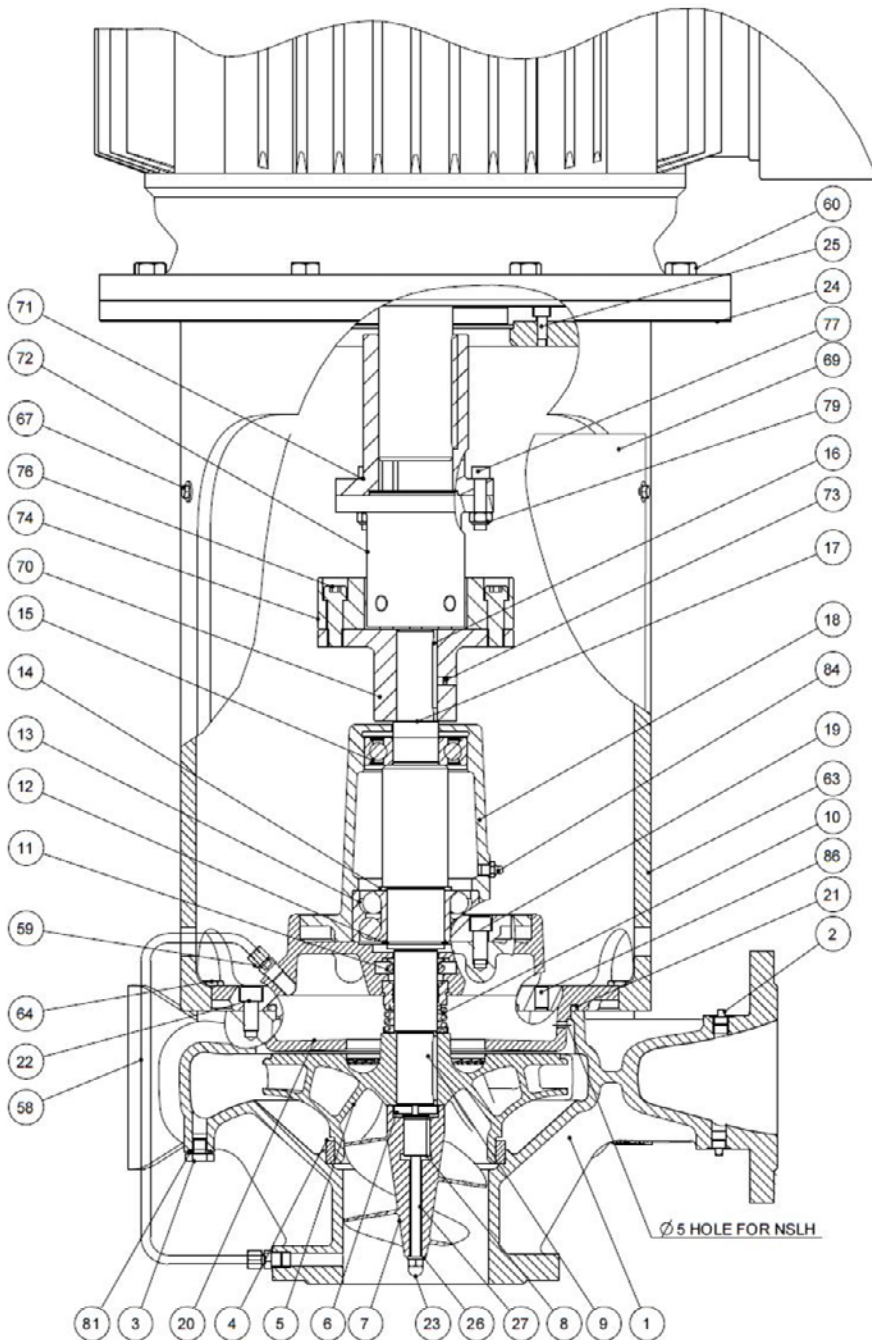


16. ASSEMBLY DRAWING AND SPARE PARTS LIST 100-265 WITH INDUCER

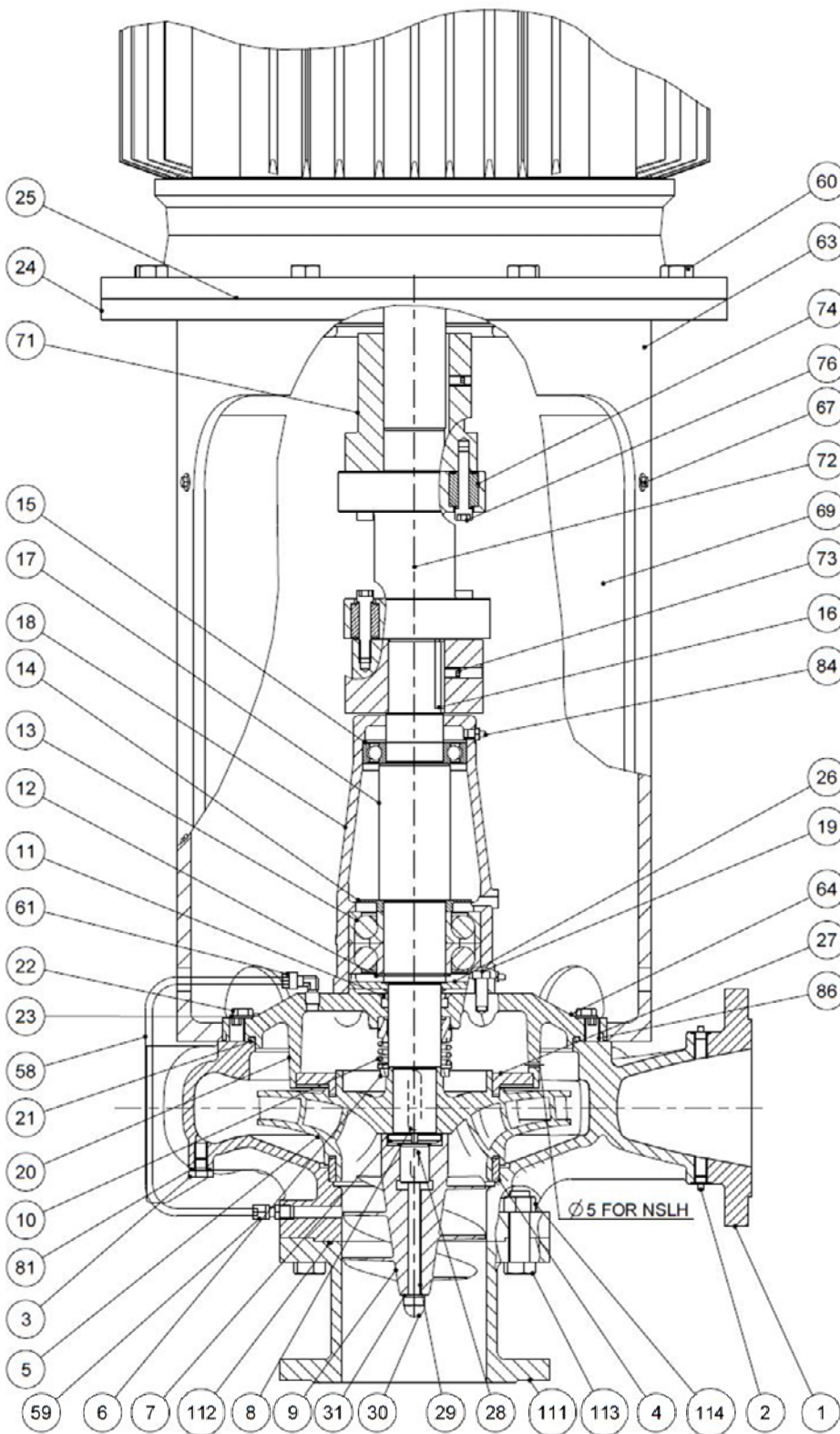


- 1 Pump casing
- 2 Pipe plug
- 3 Pipe plug
- 4 Sealing ring
- 5 Impeller
- 6 Round nut
- 7 Inducer
- 8 Sunk key
- 9 Sunk key
- 10 Mech. shaft seal
- 11 Water deflector
- 12 Ring lock
- 13 Ball bearing
- 14 Support disc
- 15 Ball bearing
- 16 Sunk key
- 17 Shaft
- 18 Bearing housing
- 19 Allen screw
- 20 Shaft seal cover
- 21 O-ring
- 22 Allen screw
- 23 Domed cap nut
- 24 Intermediate flange
- 25 Allen screw
- 26 Spring washer
- 27 Stud
- 58 Copper pipe (For NSLV)
- 59 Hexagon nipple
- 60 Set screw
- 63 Bracket
- 64 Set screw
- 67 Set screw
- 69 Guard
- 70 Coupling part pump
- 71 Coupling part motor
- 72 Spacer
- 73 Pointed screw
- 74 Elastomer
- 76 Allen screw
- 77 Allen screw
- 79 Nut
- 81 Sealing washer
- 84 Lubricator nipple *)
- 86 Pointed screw

*) 84 only combination 14

*) 24, 25 only be used when the motor size ≥ 225

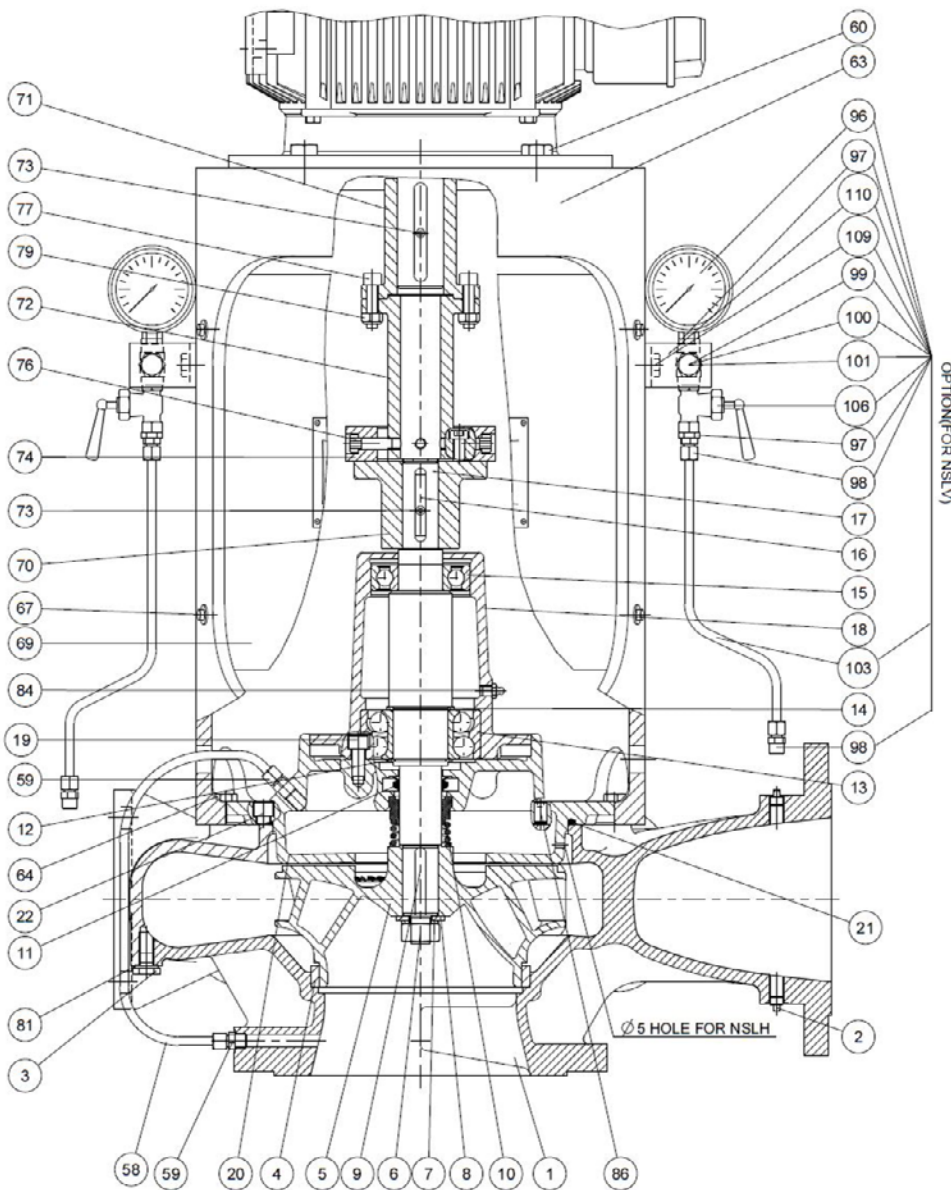
18. ASSEMBLY DRAWING AND SPARE PARTS LIST 125-330 WITH INDUCER



- 1 Pump casing
- 2 Pipe plug
- 3 Pipe plug
- 4 Sealing ring
- 5 Impeller
- 6 Stop ring
- 7 Round nut
- 8 Sunk key
- 9 Inducer
- 10 Mech. shaft seal
- 11 Water deflector
- 12 Ring lock
- 13 Ball bearing
- 14 Grease valve ring*
- 15 Ball bearing
- 16 Sunk key
- 17 Shaft
- 18 Bearing housing
- 19 Set screw
- 20 Shaft seal cover
- 21 O-ring
- 22 Set screw
- 23 Lock washer
- 26 Cover under bearing
- 27 Sealing ring 2
- 28 Sunk key
- 29 Stud
- 30 Domed cap nut
- 31 Spring washer
- 58 Copper pipe (for NSLV)
- 59 Hexagon nipple
- 60 Set screw
- 61 Hexagon nipple
- 63 Bracket
- 64 Set screw
- 67 Set screw
- 69 Guard
- 70 Coupling part pump
- 71 Coupling part motor
- 72 Spacer
- 73 Pointed screw
- 74 Coupling bush
- 76 Allen screw
- 81 Sealing washer
- 84 Lubricator nipple
- 86 Pointed screw
- 111 Inducer pipe
- 112 O ring
- 113 Set screw
- 114 Nut

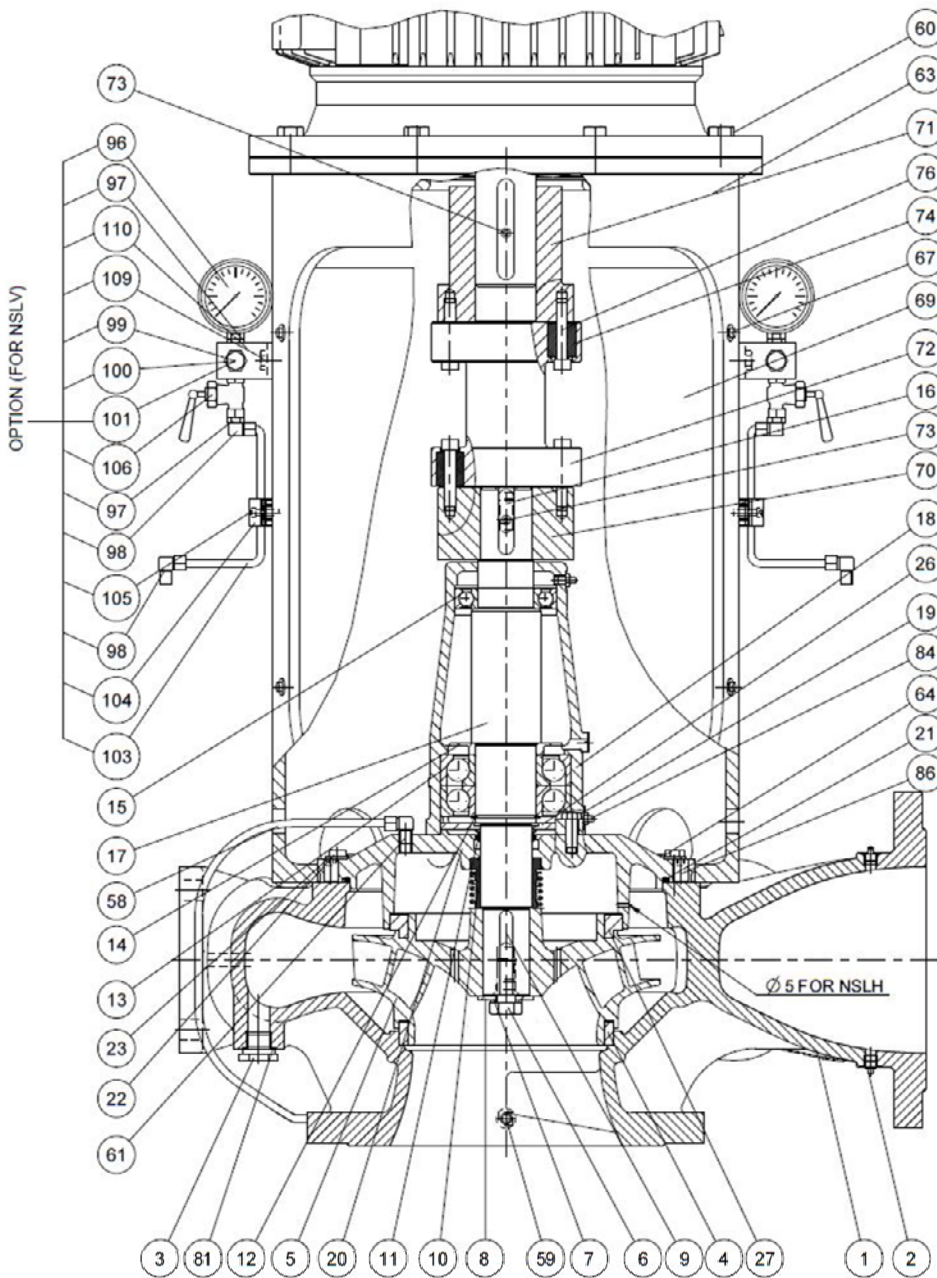
*) Support disc in comb. 13.

15. ASSEMBLY DRAWING AND SPARE PARTS LIST Ø215/265



- 1 Pump casing
 - 2 Pipe plug
 - 3 Pipe plug
 - 4 Sealing ring
 - 5 Impeller
 - 6 Nut
 - 7 Spring collar
 - 8 Washer
 - 9 Sunk key
 - 10 Mech. shaft seal
 - 11 Water deflector
 - 12 Ring lock
 - 13 Ball bearing
 - 14 Support disc
 - 15 Ball bearing
 - 16 Sunk key
 - 17 Shaft
 - 18 Bearing housing
 - 19 Allen screw
 - 20 Shaft seal cover
 - 21 O-ring
 - 22 Allen screw
 - 58 Copper pipe (For NSLV)
 - 59 Hexagon nipple
 - 60 Set screw
 - 63 Bracket
 - 64 Set screw
 - 67 Set screw
 - 69 Guard
 - 70 Coupling part pump
 - 71 Coupling part motor
 - 72 Spacer
 - 73 Pointed screw
 - 74 Elastomer
 - 76 Allen screw
 - 77 Allen screw
 - 79 Nut
 - 81 Sealing washer
 - 84 Lubricator nipple *)
 - 86 Pointed screw
 - 96 Manometer
 - 97 Reducing nipple
 - 98 Hexagon nipple
 - 99 T-piece
 - 100 Bulkhead connection
 - 101 Screw cap
 - 103 Copper pipe
 - 106 Manometer cock
 - 107 Pipe plug
 - 109 Set screw
 - 110 Manometer fitting
- *) 84 only combination 14

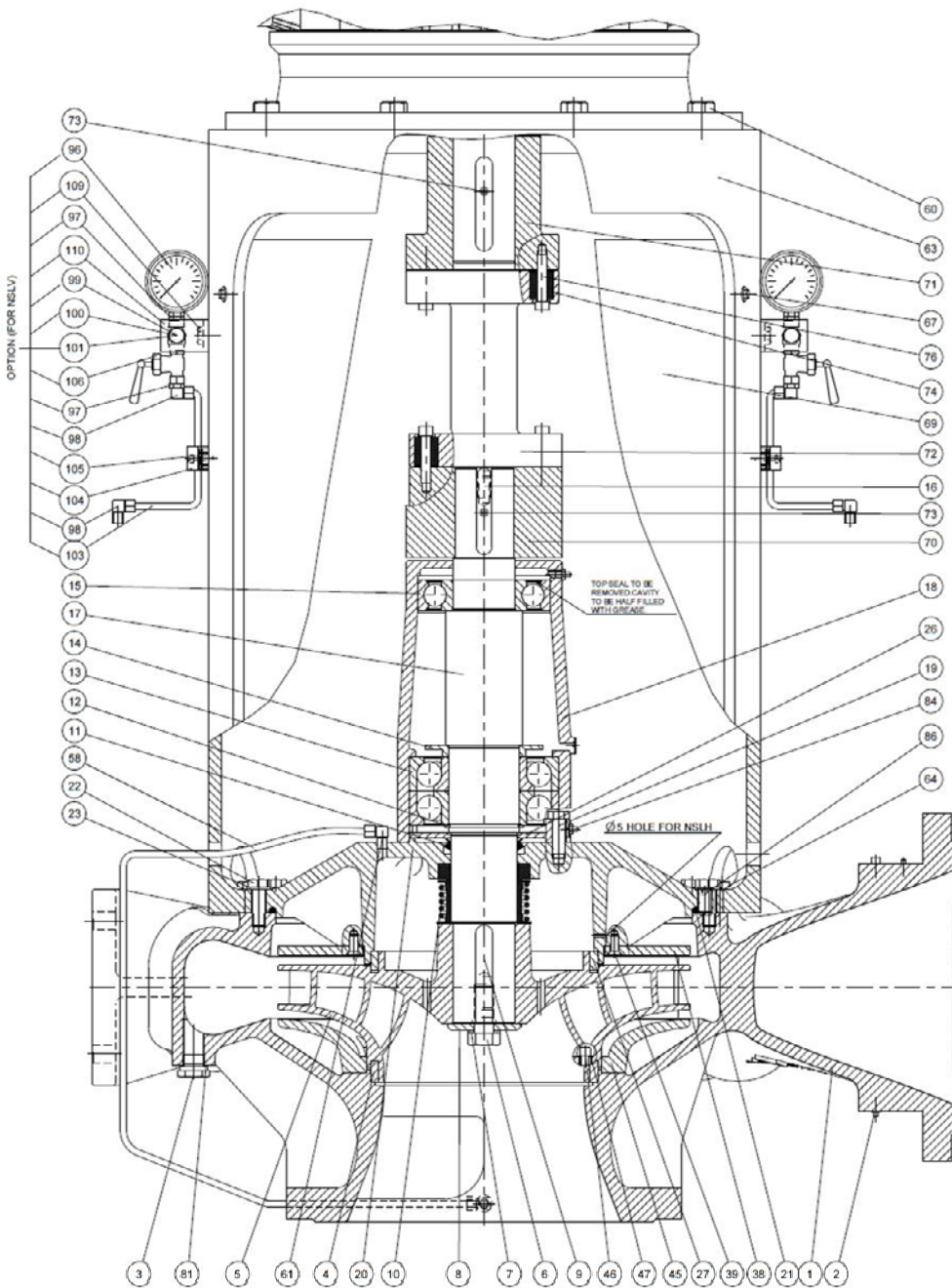
17. ASSEMBLY DRAWING AND SPARE PARTS LIST Ø330/415



- 1 Pump casing
- 2 Pipe plug
- 3 Pipe plug
- 4 Sealing ring
- 5 Impeller
- 6 Set screw
- 7 Spring collar
- 8 Washer
- 9 Sunk key
- 10 Mech. shaft seal
- 11 Water deflector
- 12 Ring lock
- 13 Ball bearing
- 14 Grease valve ring*
- 15 Ball bearing
- 16 Sunk key
- 17 Shaft
- 18 Bearing housing
- 19 Set screw
- 20 Shaft seal cover
- 21 O-ring
- 22 Set screw
- 23 Lock washer
- 26 Cover under bearing
- 27 Sealing ring 2
- 58 Copper pipe (for NSLV)
- 59 Hexagon nipple
- 60 Set screw
- 61 Hexagon nipple
- 63 Bracket
- 64 Set screw
- 67 Set screw
- 69 Guard
- 70 Coupling part pump
- 71 Coupling part motor
- 72 Spacer
- 73 Pointed screw
- 74 Coupling bush
- 76 Allen screw
- 81 Sealing washer
- 84 Lubricator nipple
- 86 Pointed screw
- 96 Manometer
- 97 Reducing nipple
- 98 Hexagon nipple
- 99 T-piece
- 100 Bulkhead connection
- 101 Screw cap
- 103 Copper pipe
- 104 Screw
- 105 Pipe clamp
- 106 Manometer cock
- 107 Pipe plug
- 109 Set screw
- 110 Manometer fitting

*) Support disc in comb. 13.

19. ASSEMBLY DRAWING AND SPARE PARTS LIST Ø525



- 1 Pump casing
- 2 Pipe plug
- 3 Pipe plug
- 4 Sealing ring
- 5 Impeller
- 6 Set screw
- 7 Spring collar
- 8 Washer
- 9 Sunk key
- 10 Mech. shaft seal
- 11 Water deflector
- 12 Ring lock
- 13 Ball bearing
- 14 Grease valve ring*
- 15 Ball bearing
- 16 Sunk key
- 17 Shaft
- 18 Bearing housing
- 19 Set screw
- 20 Shaft seal cover
- 21 O-ring
- 22 Set screw
- 23 Lock washer
- 26 Cover under bearing
- 27 Sealing ring 2
- 38 Guide plate
- 39 Sunk screw
- 45 Guide plate
- 46 Allan screw
- 47 Washer
- 58 Copper pipe
- 60 Set screw
- 61 Hexagon nipple
- 63 Bracket
- 64 Set screw
- 67 Set screw
- 69 Guard
- 70 Coupling part pump
- 71 Coupling part motor
- 72 Spacer
- 73 Pointed screw
- 74 Coupling bush
- 76 Allen screw
- 81 Sealing washer
- 84 Lubricator nipple
- 86 Pointed screw
- 96 Manometer
- 97 Reducing nipple
- 98 Hexagon nipple
- 99 T-piece
- 100 Bulkhead connection
- 101 Screw cap
- 103 Copper pipe
- 104 Screw
- 105 Pipe clamp
- 106 Manometer cock
- 107 Pipe plug
- 109 Set screw
- 110 Manometer fitting

*) 14 Support disc in comb. 13.

*) 45, 46 and 47 only in
NSLH and NSLV300-525