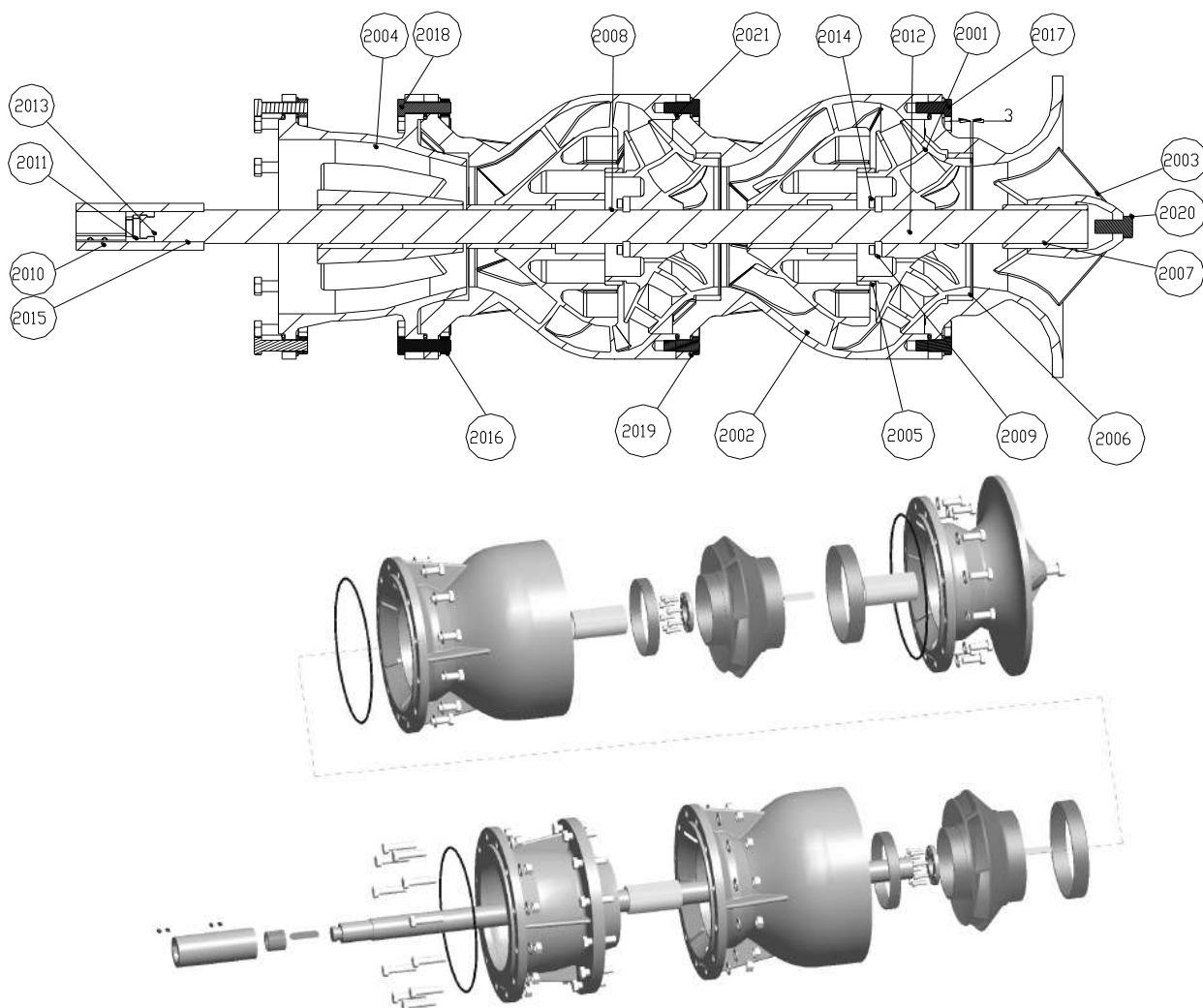


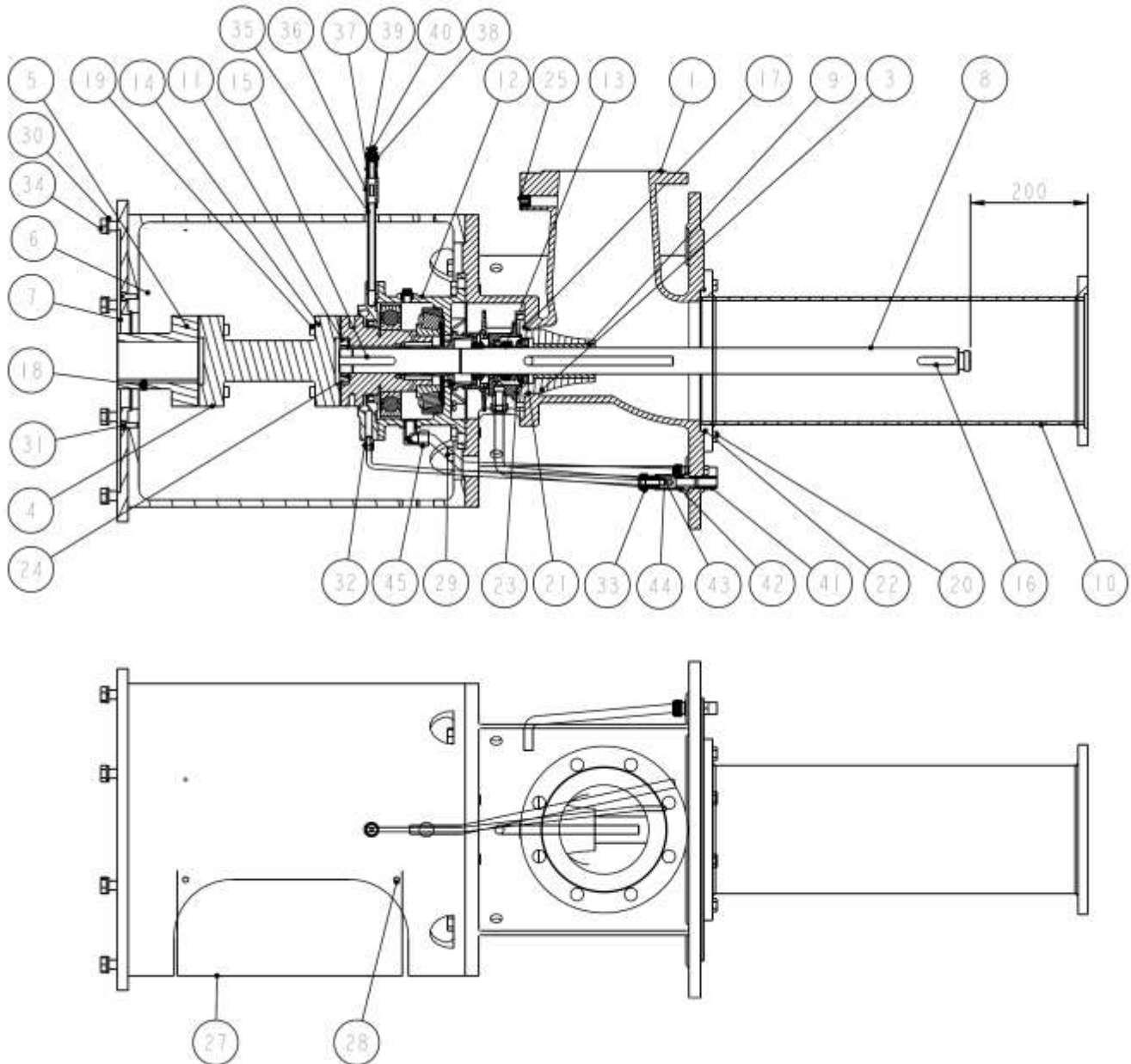
15. ASSEMBLY DRAWINGS AND PARTS LISTS (DL400-2 for Example)

15.1 SUB-ASSEMBLY: BOWL ASSEMBLY



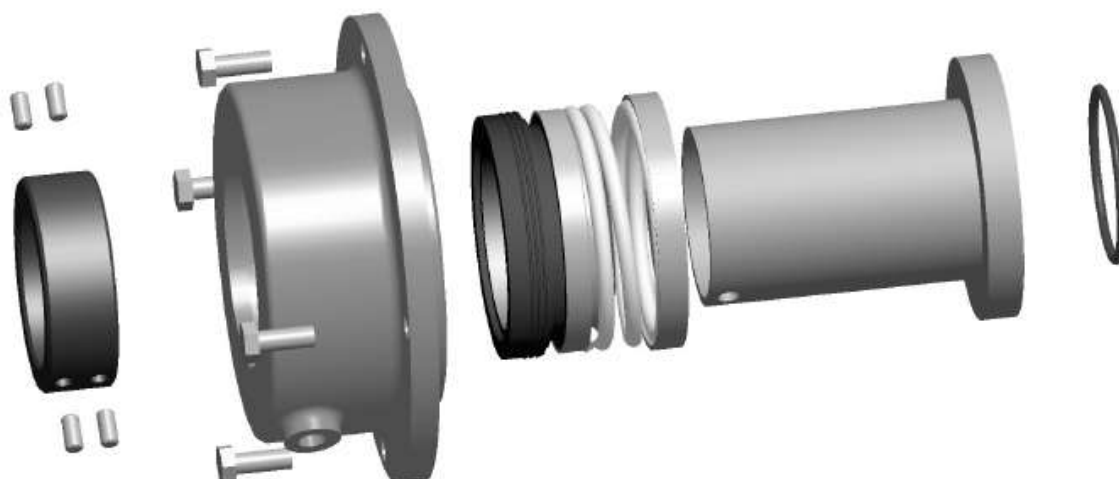
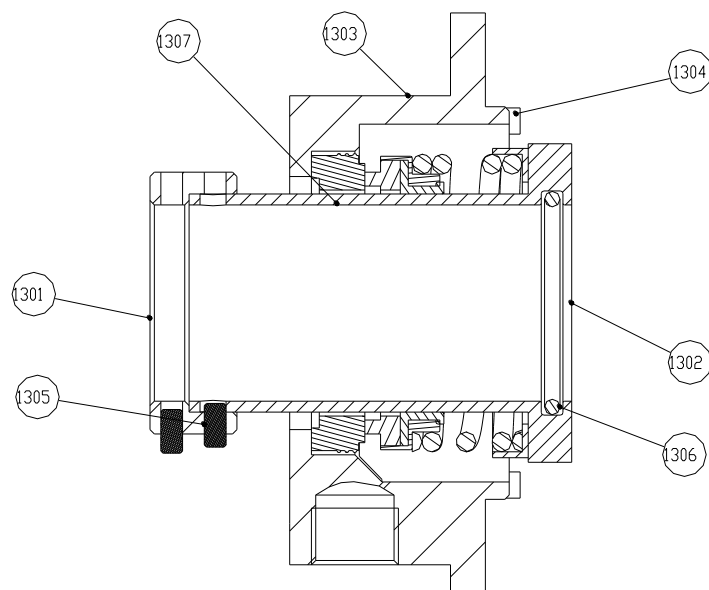
No.	Description	Quantity	No.	Description	Quantity
2021	O-ring 320x5.3 GB/T3452.1	4	2010	Shaft coupling Ø45	1
2020	M20X40 A4 Din 933	1	2009	Lock ring Ø50	2
2019	Washer M16 Din127	48	2008	Pump shaft, 2 stages	1
2018	M16X65 Din 933	24	2007	Bearing Ø50X120	4
2017	Bolt M16X40	24	2006	Wear ring 205	2
2016	Nut M16	24	2005	Back wear ring 162	2
2015	Point screw M8X12 Din916	4	2004	Discharge Case 400/10"	1
2014	Bolt M8X25 Din912	16	2003	400 Bell	1
2013	Key 14X9X65	1	2002	400 Bowl	2
2012	Key 14X9X70	2	2001	400 Impeller	2
2011	Half connector	1			

15.2 SUB-ASSEMBLY: HEAD AND COLUMN ASSEMBLY



No.	Description	Qty	No.	Description	Qty
1	head	1	25	1/2"plug and 1/2" change nipple	1
3	packing box	1	27	coupling guard	1
4	spacer coupling	1	28	bolt M6x25, and washer M6	4
5	motor coupling	1	29	bolt M16x40	4
6	motor bracket	1	30	washer for motor	8
7	intermediate plate	1	31	bolt for intermediate plate	8
8	top shaft	1	32A	hexagon nipple 1/4"xØ8	1
9	bearing	1	32B	Tube pipe Ø8x1.0	0.5
10	column	1	33A	hexagon nipple 1/2"xØ15	5
11	lock nut	1	33B	Tube pipe Ø15x1.0	2
12	bearing assembly unit	1	34	Bolt for motor	8
13	mechanical sealing unit	1	35	Connecting nipple 1/4"x150	1
14	coupling bush	16	36	Flow indicator	1
15	key A 14x9x70	1	37	Hexagon nipple 1/4"x1/4"	1
16	key A 14x9x65	1	38	Connecting sleeve 1/4"	1
17	bolt M8x25	4	39	Orifice nozzle	1
18	point screw M10x16	1	40	Plug 1/4"	1
19	allen screw M12x60	16	41	Hexagon nipple 1/2"x1/2"	4
20	bolt M16x40	12	42	Tee 1/2"x1/2"x1/2"	1
21	O-ring 103x3.55	1	43	Nipple 1/2"x1/4"	1
22	O-ring 320x5.3	1	44	Male elbow 1/4"xØ8	1
23	oil paper gasket 130x92x0.2	1	45	Male elbow 1/2"xØ15	1
24	self lock washer 42	1			

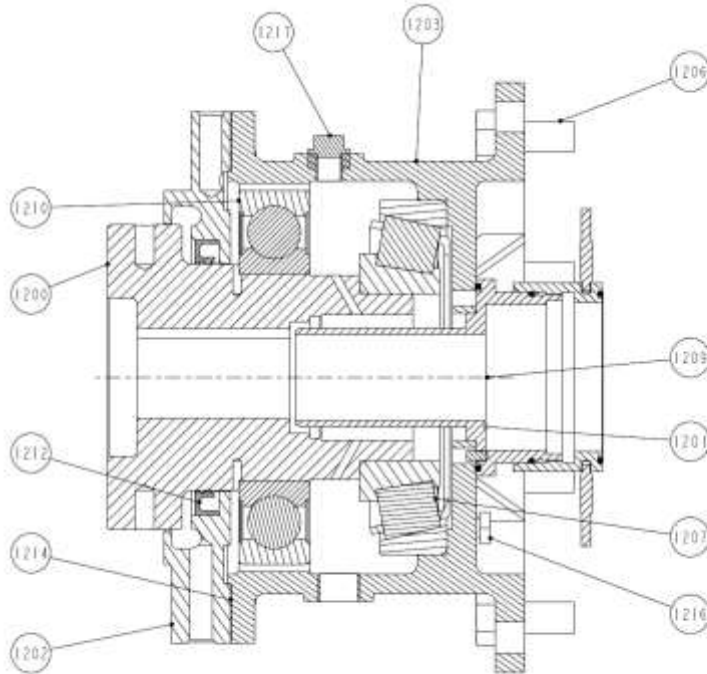
15.3 SUB-ASSEMBLY: MECHANICAL SEALING UNIT



No.	Description	Quantity
1307	Mechanical seal 50	1
1306	O-ring	1
1305	Point screw M5X10 Din916	4
1304	Bolt M6X16 Din933	4
1303	Seal seat	1
1302	Seal adjuster	1
1301	Sleeve locker	1

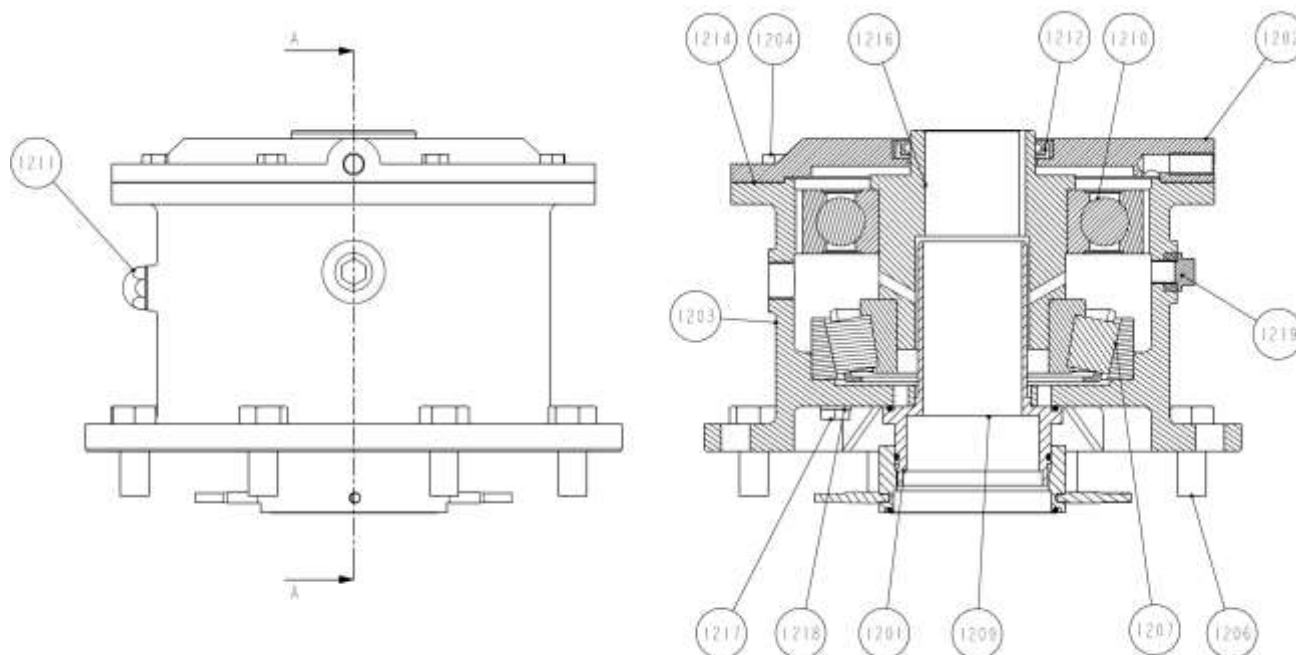
15.4 SUB-ASSEMBLY: BEARING ASSEMBLY UNIT

Type 1
(Used in DL300, DL300B, DL400)



No.	Description	Qty	No.	Description	Qty
1217	plug 1/2" BSP	1	1207	Thrust bearing 31317	1
1216	Bolt M10x16, and dubo-washer M10	4	1206	Bolt M16X40	8
1214	Oil paper 270X212X0.2	1	1204	Bolt M8X25	8
1212	Labyrinth ring	1	1203	Bearing box	1
1211	Oil glass A10 JB/T7941.2	1	1202	Bearing box cover	1
1210	Bearing 6221	1	1201	Oil tube assembly unit	1
1209	Plug 1/4"	3	1200	Support coupling	1

Type 2 (Used in DL400B)



No.	Description	Qty	No.	Description	Qty
			1210	Bearing 6221	1
1219	Plug 1/2" BSP	1	1209	Plug 1/4"	2
1218	Dubo-washer M10	4	1207	Thrust bearing	1
1217	Bolt M10x16	4	1206	Bolt M16x40 and Washer M16	8
1216	Support coupling	1	1204	Bolt M8x20	8
1214	Oil paper Ø270xØ212x0.2	1	1203	Bearing box	1
1212	Oil seal FB70x90x10	1	1202	Bearing box cover	1
1211	Oil glass A10 JB/T7941.2 AL	1	1201	Oil tube assembly unit	1