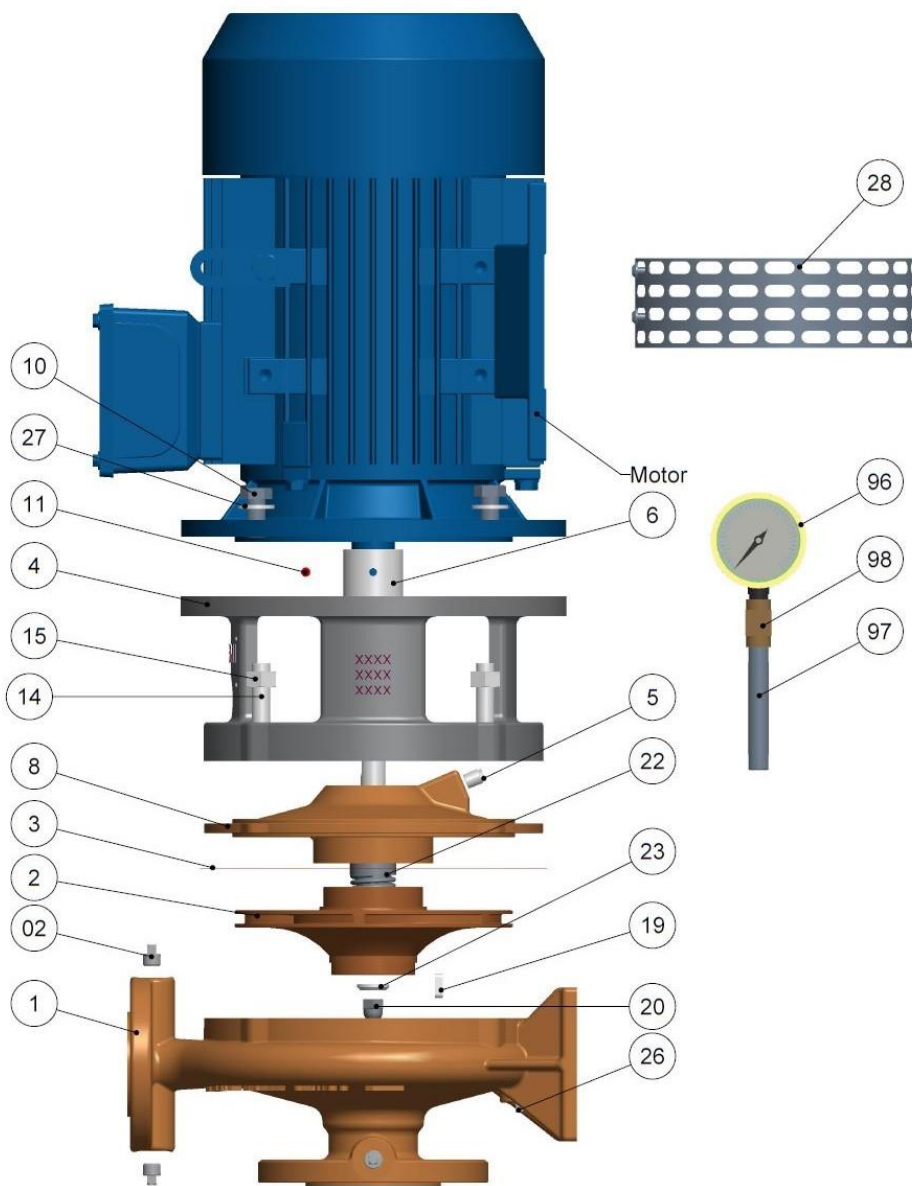
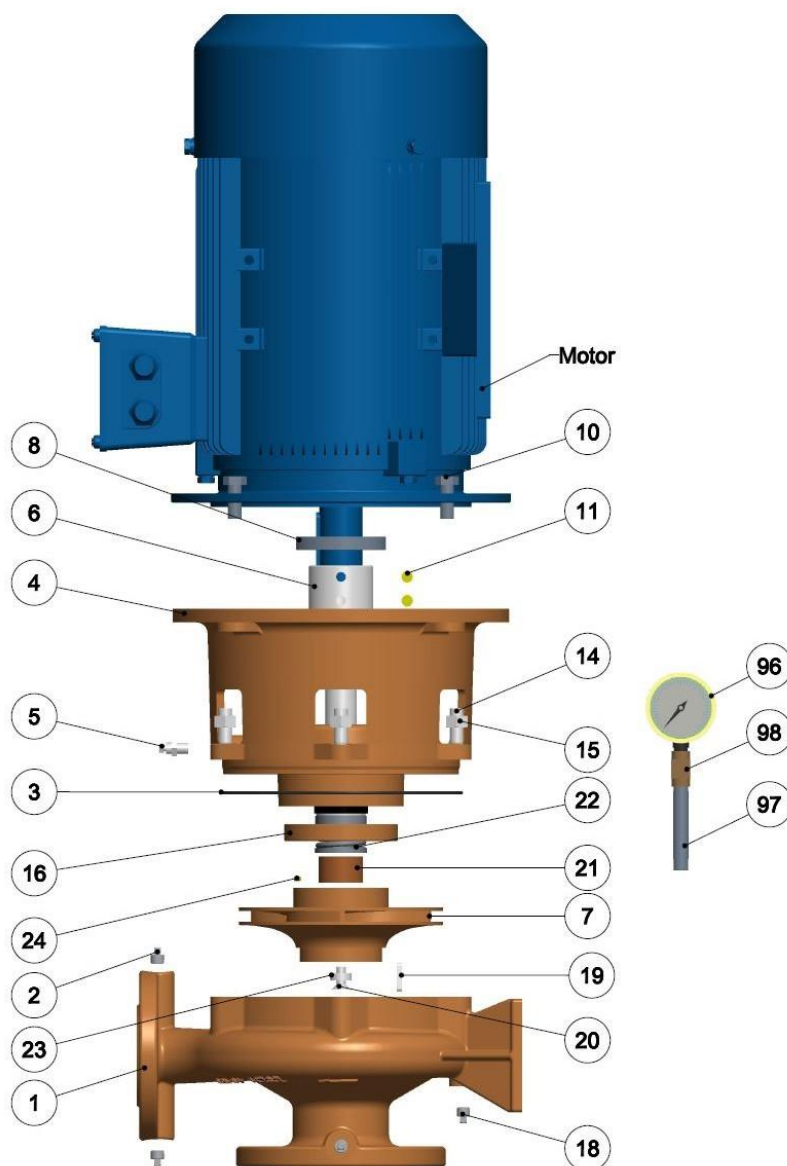


14. ASSEMBLY DRAWING ESLV/H25-180/-12-COMB.



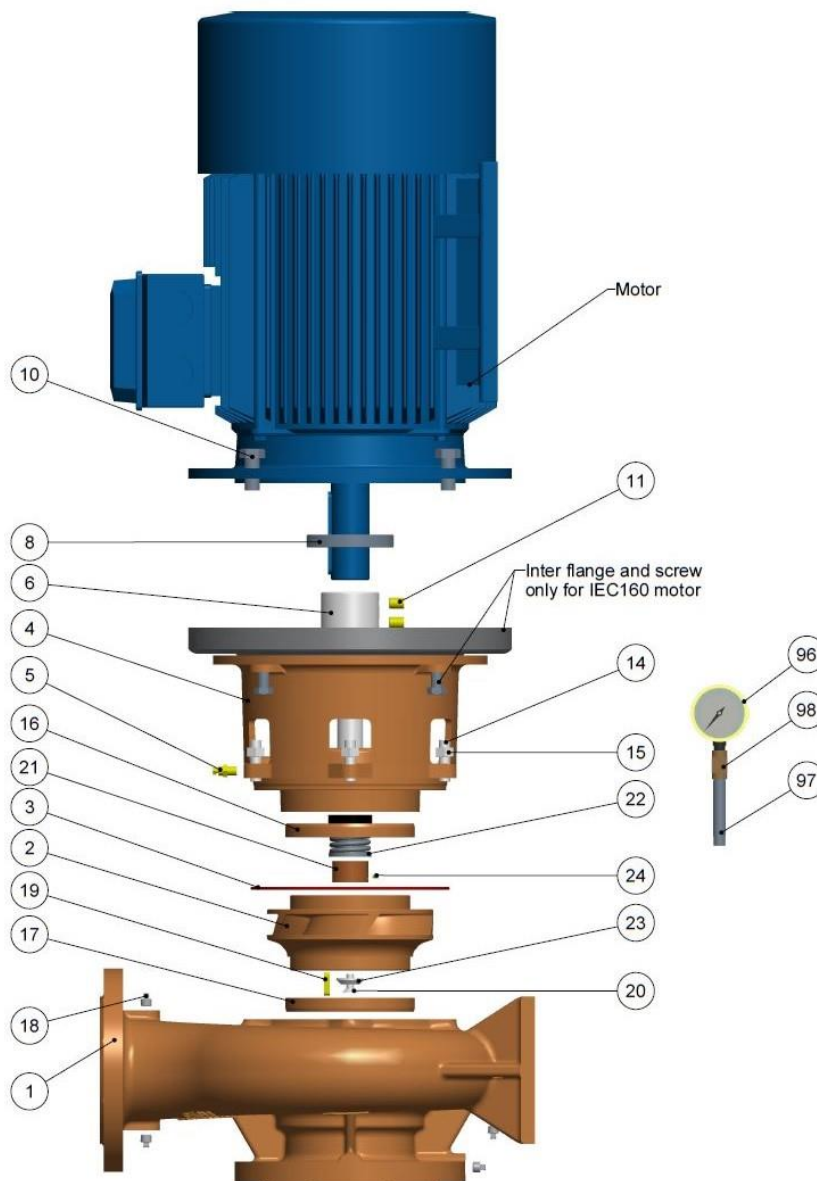
1	Pump casing
2	Impeller
02	Plug
3	Gasket
4	Motor bracket
5	Vent plug
6	Shaft
8	Rear cover
10	Set screw
11	Pointed screw
14	Stud
15	Nut
19	Key
20	Nut
22	Mechanical shaft seal
23	Washer
26	Plug
27	Washer
28	Guard
96	Manometer
97	Nipple
98	Sleeve

15. ASSEMBLY DRAWING ESLV/H40-180/-12-COMB.



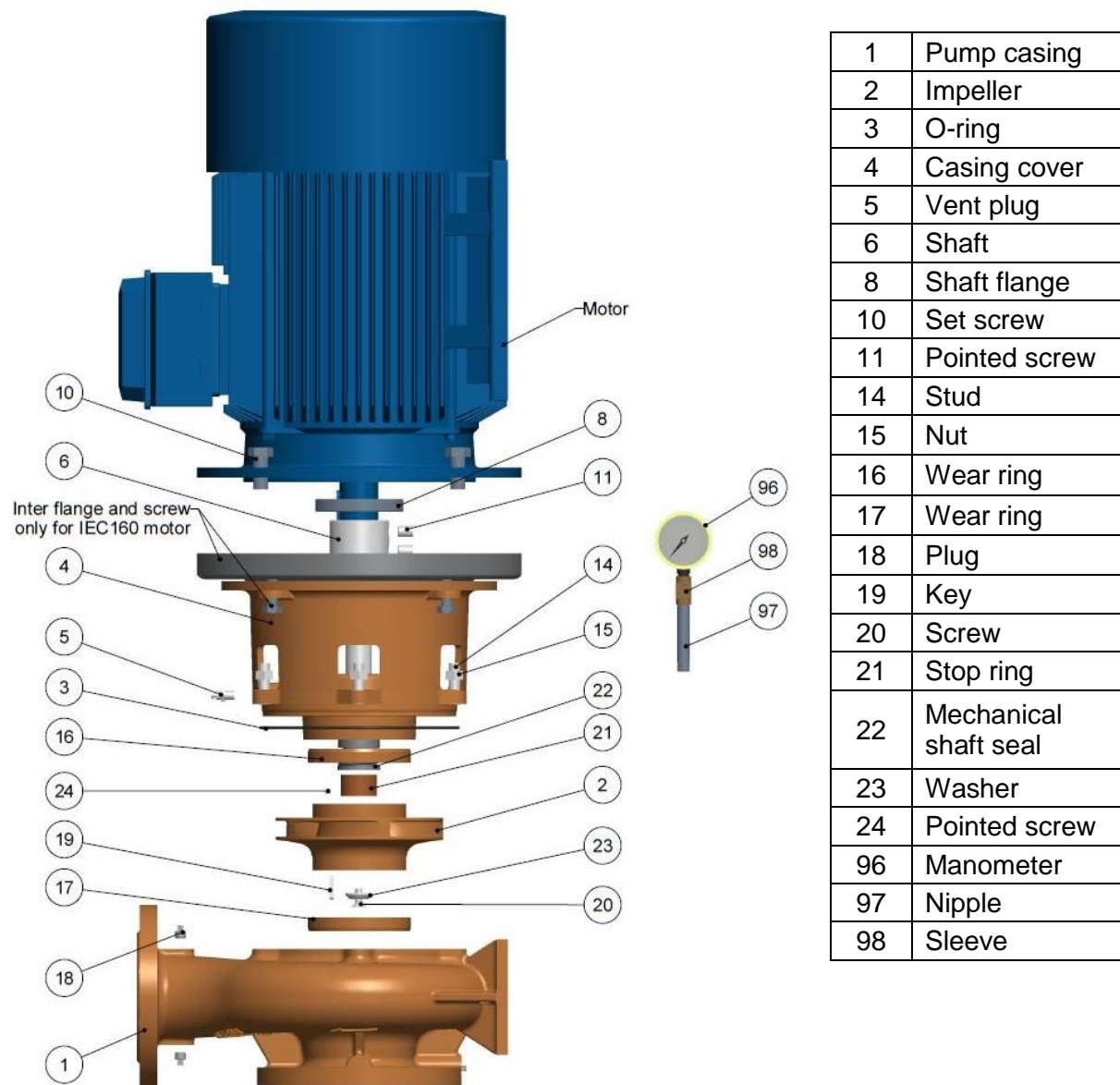
1	Pump casing
2	Plug
3	O-ring
4	Casing cover
5	Vent plug
6	Shaft
7	Impeller
8	Shaft flange
10	Set screw
11	Pointed screw
14	Stud
15	Nut
16	Wear ring
18	Plug
19	Key
20	Nut
22	Mechanical shaft seal
23	Washer
96	Manometer
97	Nipple
98	Sleeve

16. ASSEMBLY DRAWING ESLV/H65-180/-12-COMB

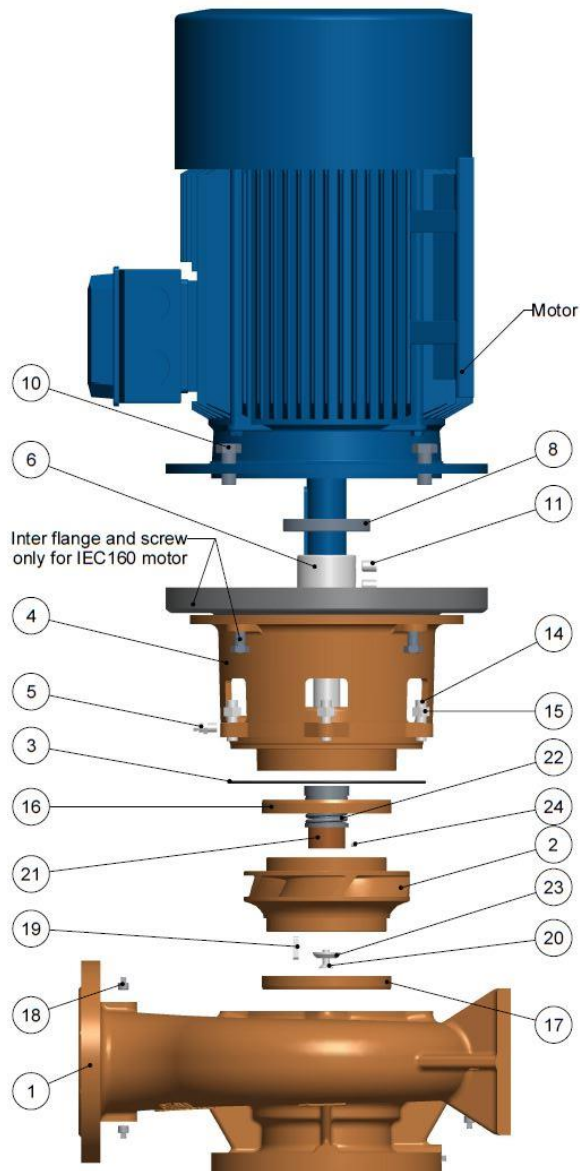


1	Pump casing
2	Impeller
3	O-ring
4	Casing cover
5	Vent plug
6	Shaft
8	Shaft flange
10	Set screw
11	Pointed screw
14	Stud
15	Nut
16	Wear ring
17	Wear ring
18	Plug
19	Key
20	Screw
21	Stop ring
22	Mechanical shaft seal
23	Washer
24	Pointed screw
96	Manometer
97	Nipple
98	Sleeve

17. ASSEMBLY DRAWING ESLV/H80-180E/-12-COMB



18. ASSEMBLY DRAWING ESLV/H100-180/-12-COMB



1	Pump casing
2	Impeller
3	O-ring
4	Casing cover
5	Vent plug
6	Shaft
8	Shaft flange
10	Set screw
11	Pointed screw
14	Stud
15	Nut
16	Wear ring
17	Wear ring
18	Plug
19	Key
20	Screw
21	Stop ring
22	Mechanical shaft seal
23	Washer
24	Pointed screw
96	Manometer
97	Nipple
98	Sleeve