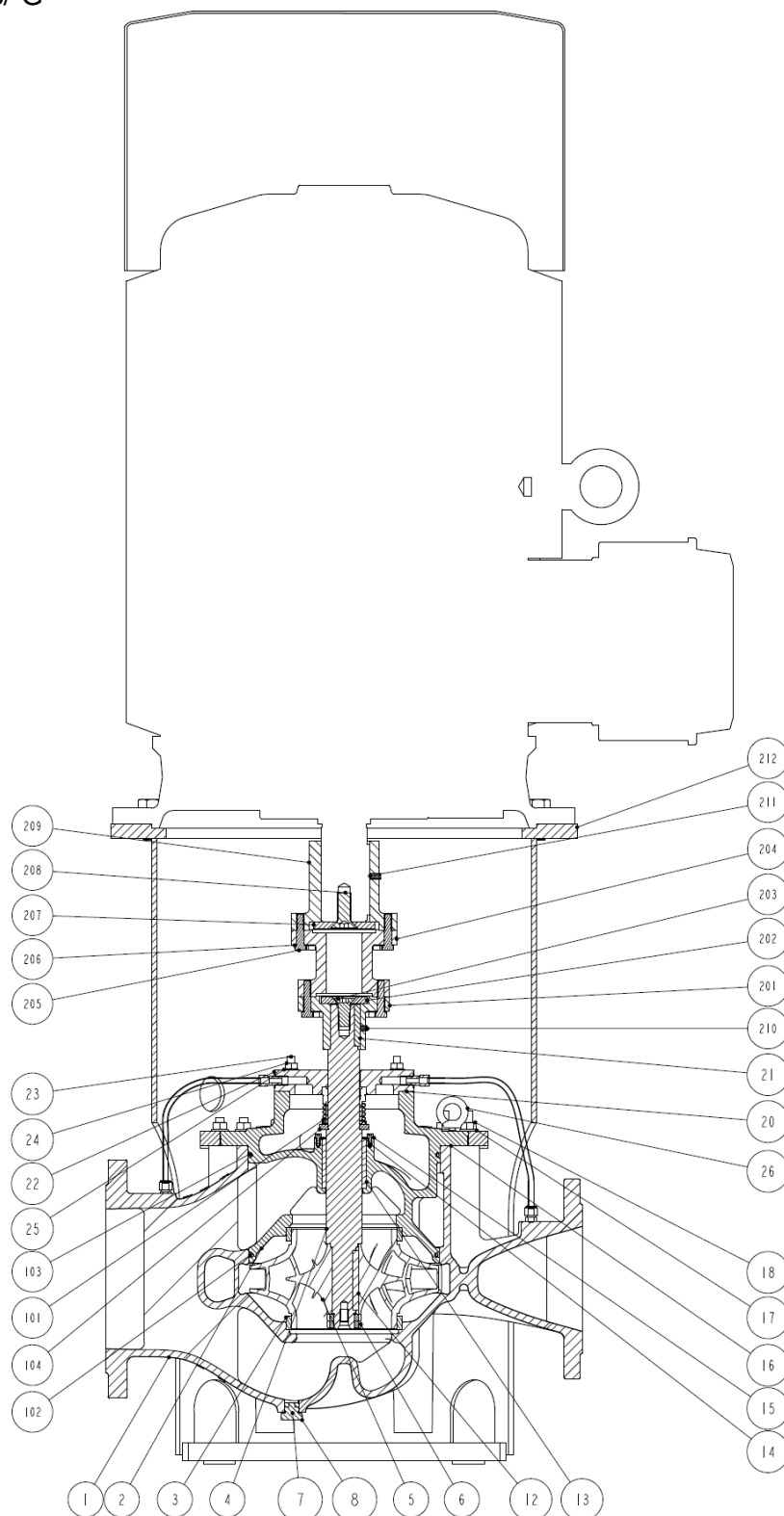
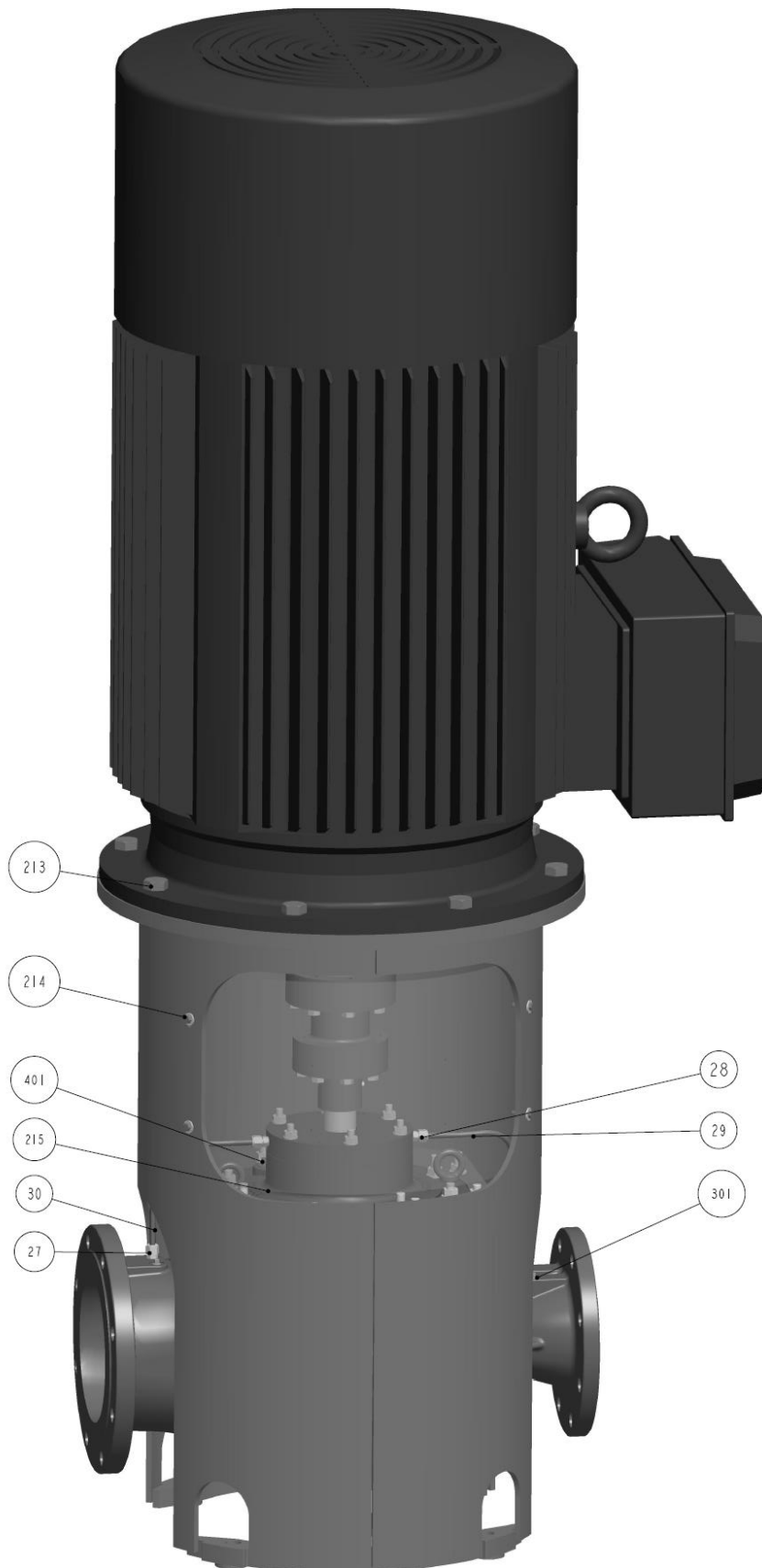


## 16. ASSEMBLY DRAWING

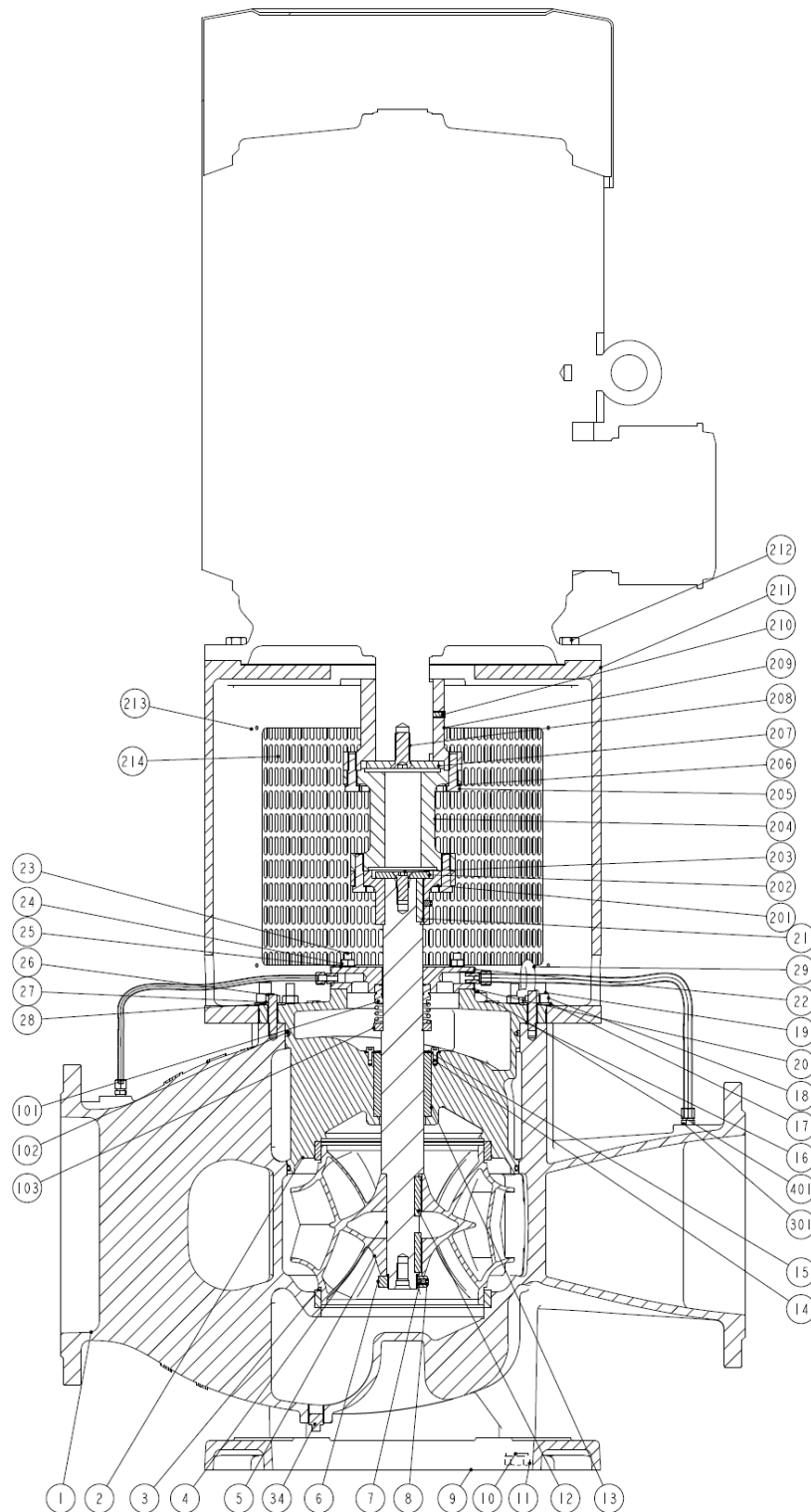
### 16.1 DSL150-265/-G

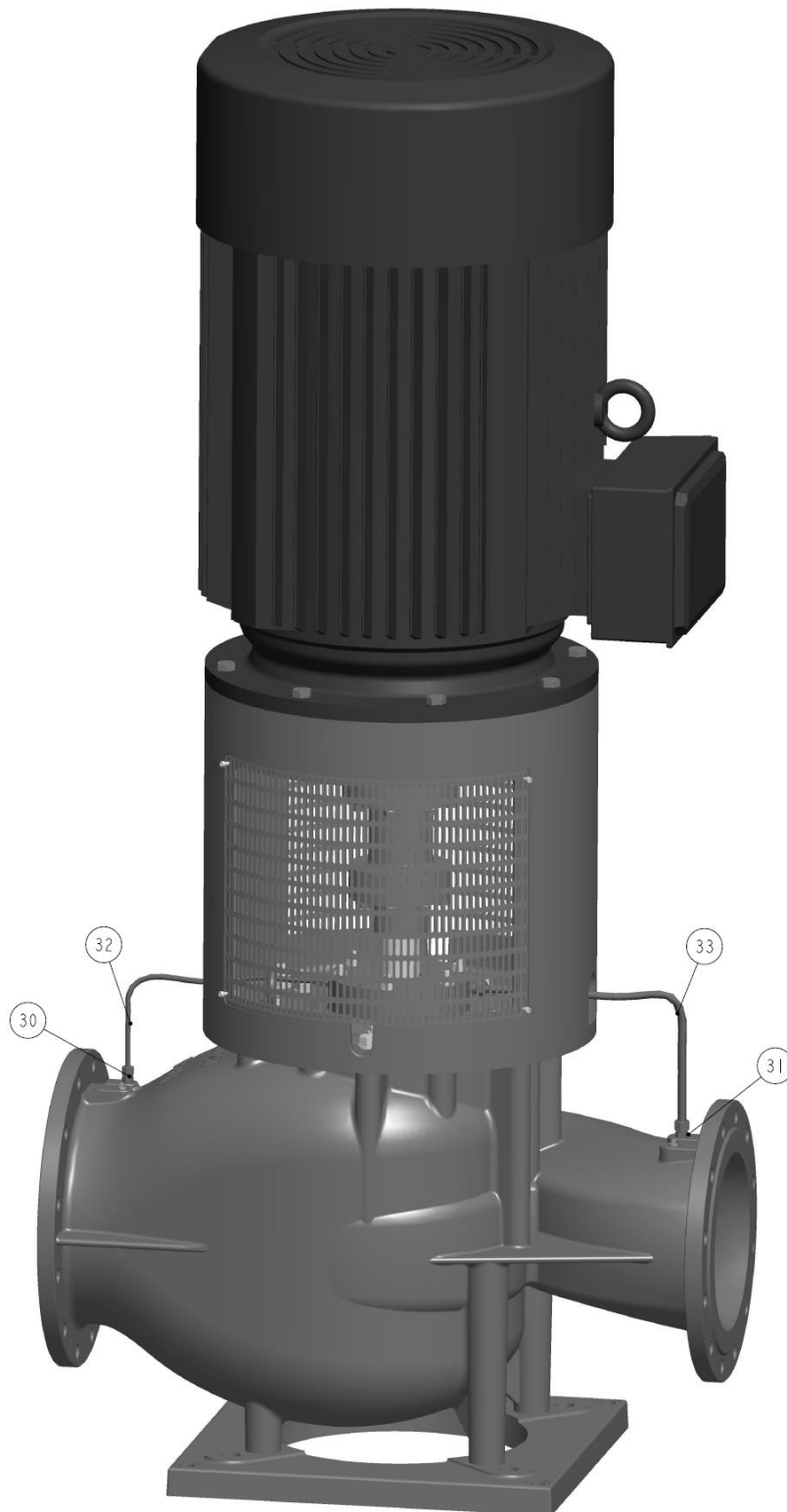




Pos.	Designation	Pos.	Designation
1	Pump Casing	27	Fitting
2	Rear Cover	28	Fitting
3	Seal Ring	29	Tube
4	Shaft	30	Tube
5	Impeller	101	Mechanical Shaft Seal
6	Shaft Nut	102	O-ring
7	Sealing Washer	103	O-ring
8	Plug	104	Support Ring
9	Base Plate	201	Coupling
10	Lock Disc	202	Plate
11	Set Screw	203	Screw
12	Key	204	Coupling
13	Sliding Bearing	205	Screw
14	Allen Screw	206	Washer
15	Lock Plate	207	Plate
16	Gasket	208	Screw
17	Washer	209	Coupling
18	Nut	210	Pointed Screw
19	Stud	211	Pointed Screw
20	Gasket	212	Motor Bracket
21	Key	213	Set Screw
22	Seal Cover	214	Set Screw & Washer
23	Stud	215	Guard
24	Nut	301	Plug
25	Washer	401	Plug
26	Eye Bolt		

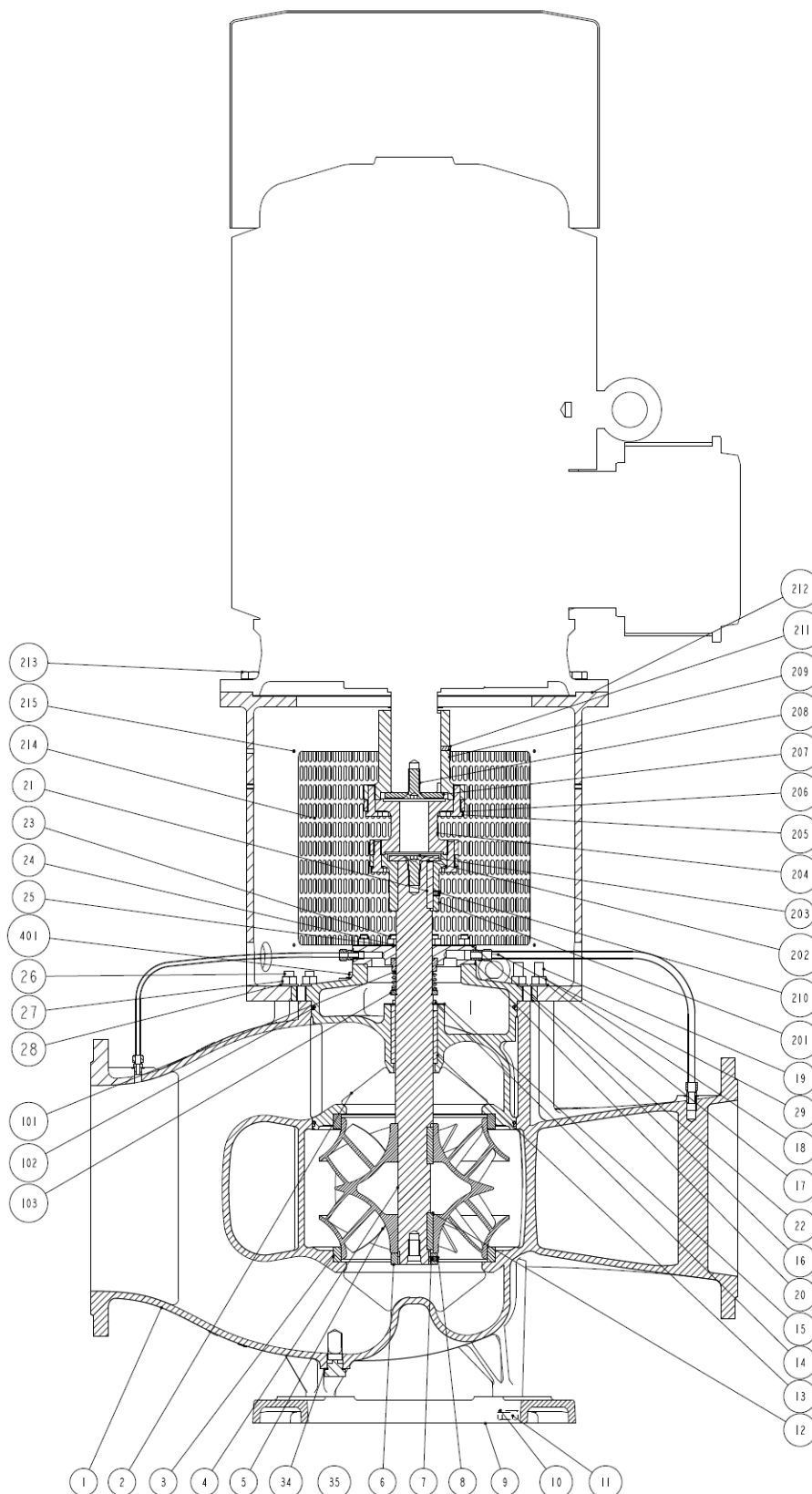
## 16.2 DSL250-310/-G

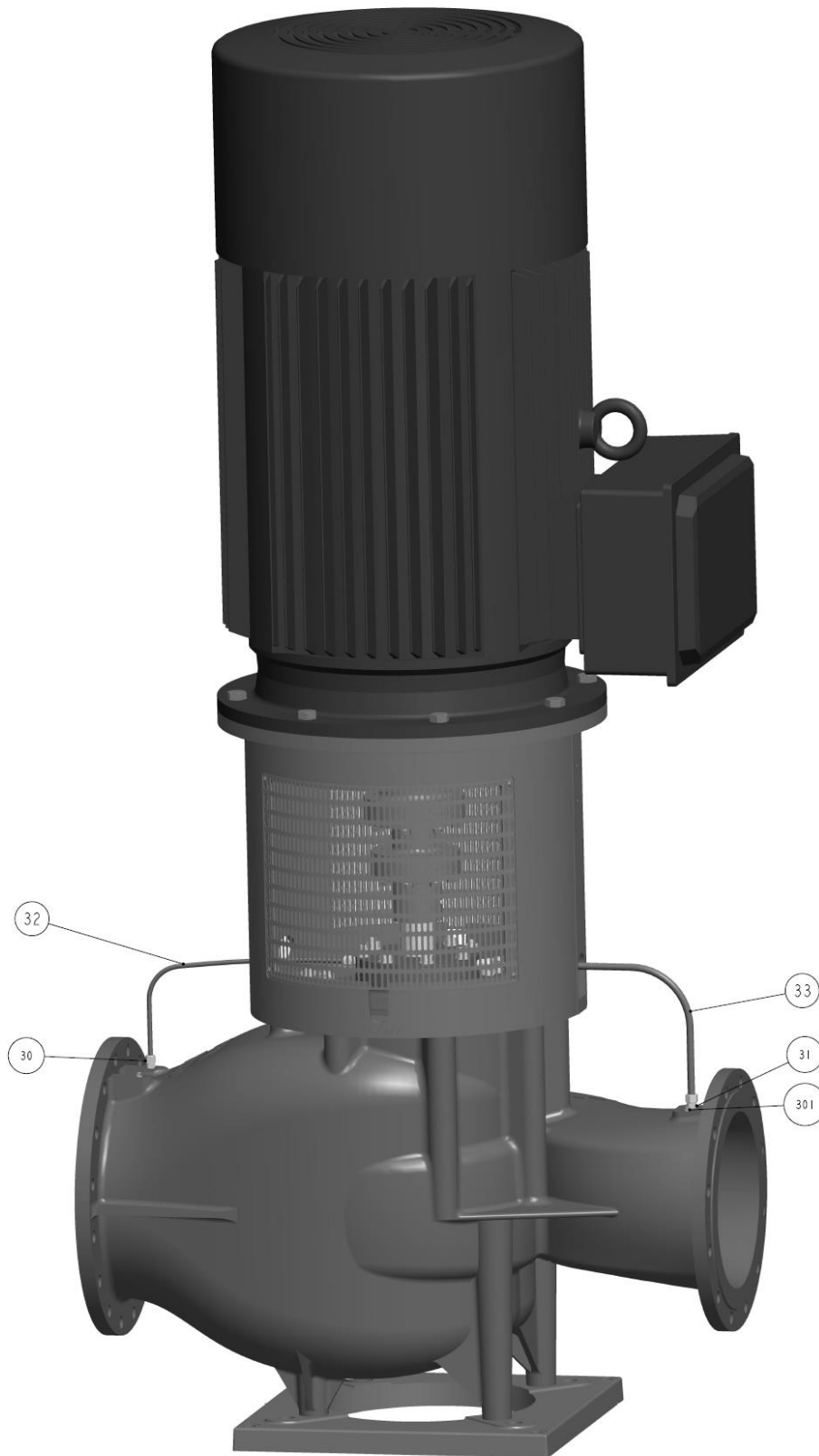




Pos.	Designation	Pos.	Designation
1	Pump Casing	28	Washer
2	Rear Cover	29	Eye Bolt
3	Seal ring	30	Nipple
4	Shaft	31	Nipple
5	Impeller	32	Tube
6	Shaft Nut	33	Tube
7	Plastic Ball	34	Plug
8	Pointed screw	101	Mechanical Shaft Seal
9	Base Plate	102	O-ring
10	Lock Disc	103	Support Ring
11	Set Screw	201	Coupling
12	Key	202	Plate
13	Sliding Bearing	203	Screw
14	Allen Screw	204	Coupling
15	Lock Plate	205	Screw
16	Gasket	206	Washer
17	Washer	207	Plate
18	Nut	208	Screw
19	Stud	209	Coupling
20	Gasket	210	Pointed Screw
21	Key	211	Motor Bracket
22	Seal Cover	212	Set Screw
23	Stud	213	Bolt
24	Nut	214	Guard
25	Washer	301	Plug
26	Stud	401	Plug
27	Nut		

## 16.3 DSL300-320/-G

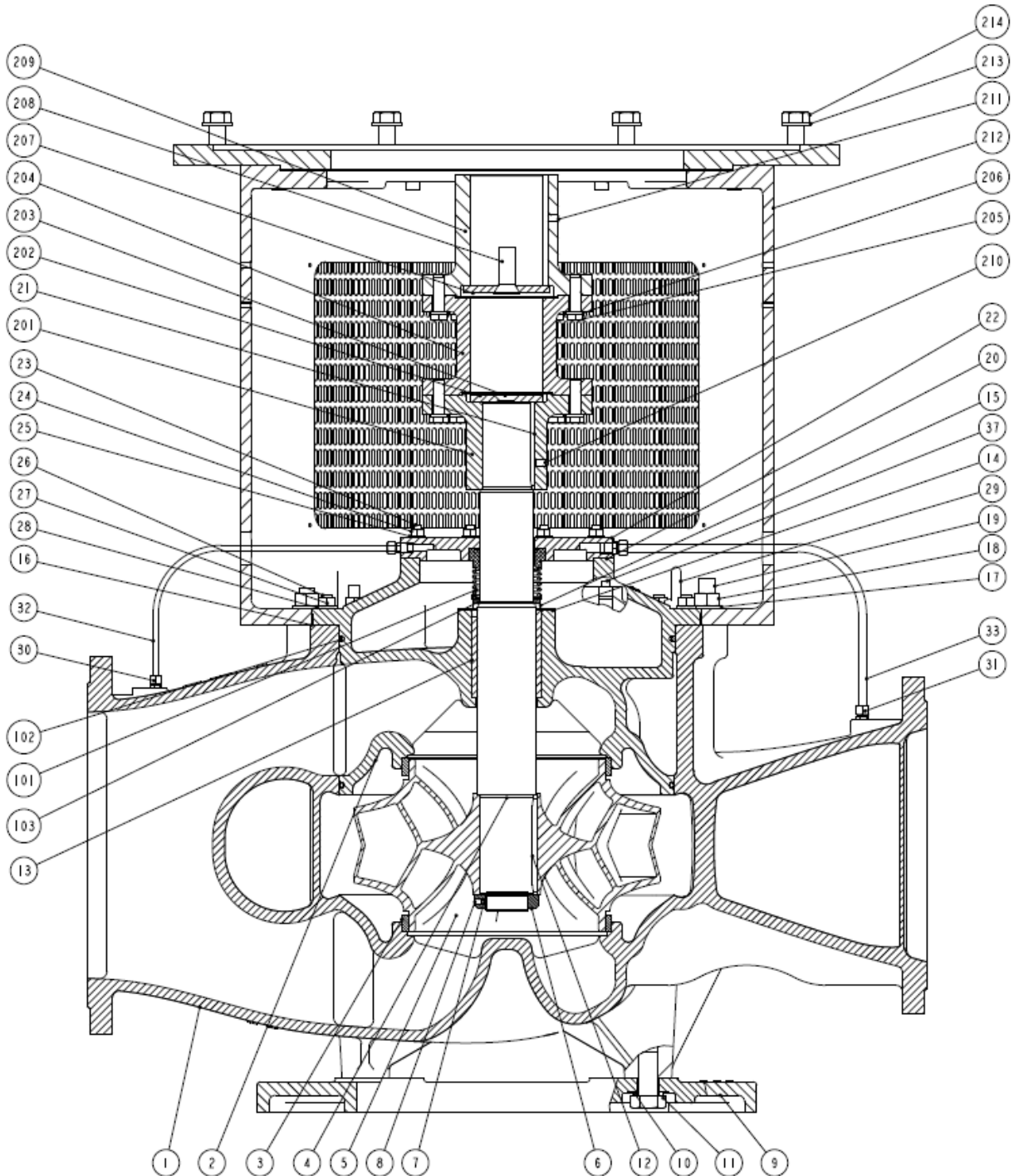


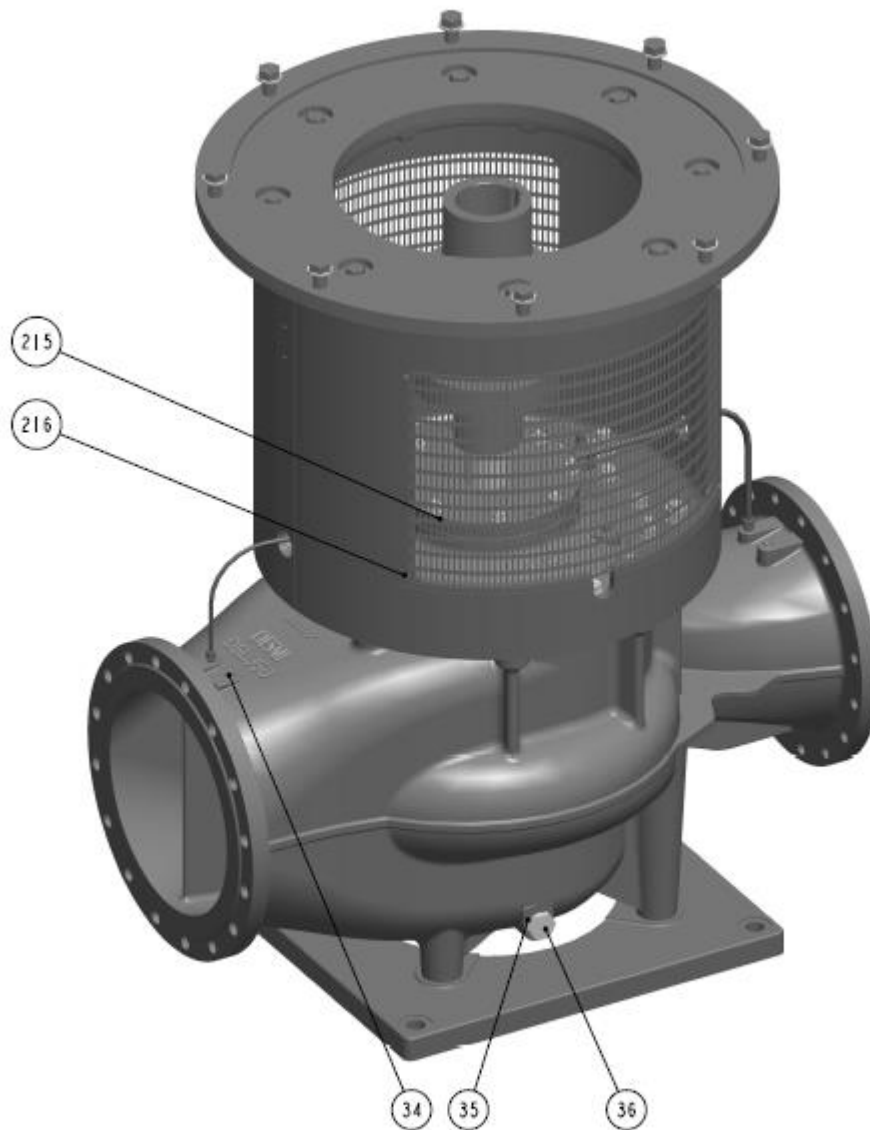




Pos.	Designation	Pos.	Designation
1	Pump Casing	29	Eye Bolt
2	Rear Cover	30	Nipple
3	Seal ring	31	Nipple
4	Shaft	32	Tube
5	Impeller	33	Tube
6	Shaft Nut	34	Washer
7	Plastic Ball	35	Plug
8	Pointed screw	101	Mechanical Shaft Seal
9	Base Plate	102	O-ring
10	Lock Disc	103	Support Ring
11	Set Screw	201	Coupling
12	Key	202	Plate
13	Sliding Bearing	203	Screw
14	Allen Screw	204	Coupling
15	Lock Plate	205	Screw
16	Gasket	206	Washer
17	Washer	207	Plate
18	Nut	208	Screw
19	Stud	209	Coupling
20	Gasket	210	Pointed Screw
21	Key	211	Pointed Screw
22	Seal Cover	212	Motor Bracket
23	Stud	213	Set Screw
24	Nut	214	Guard
25	Washer	215	Screw
26	Stud	301	Plug
27	Nut	401	Plug
28	Washer		

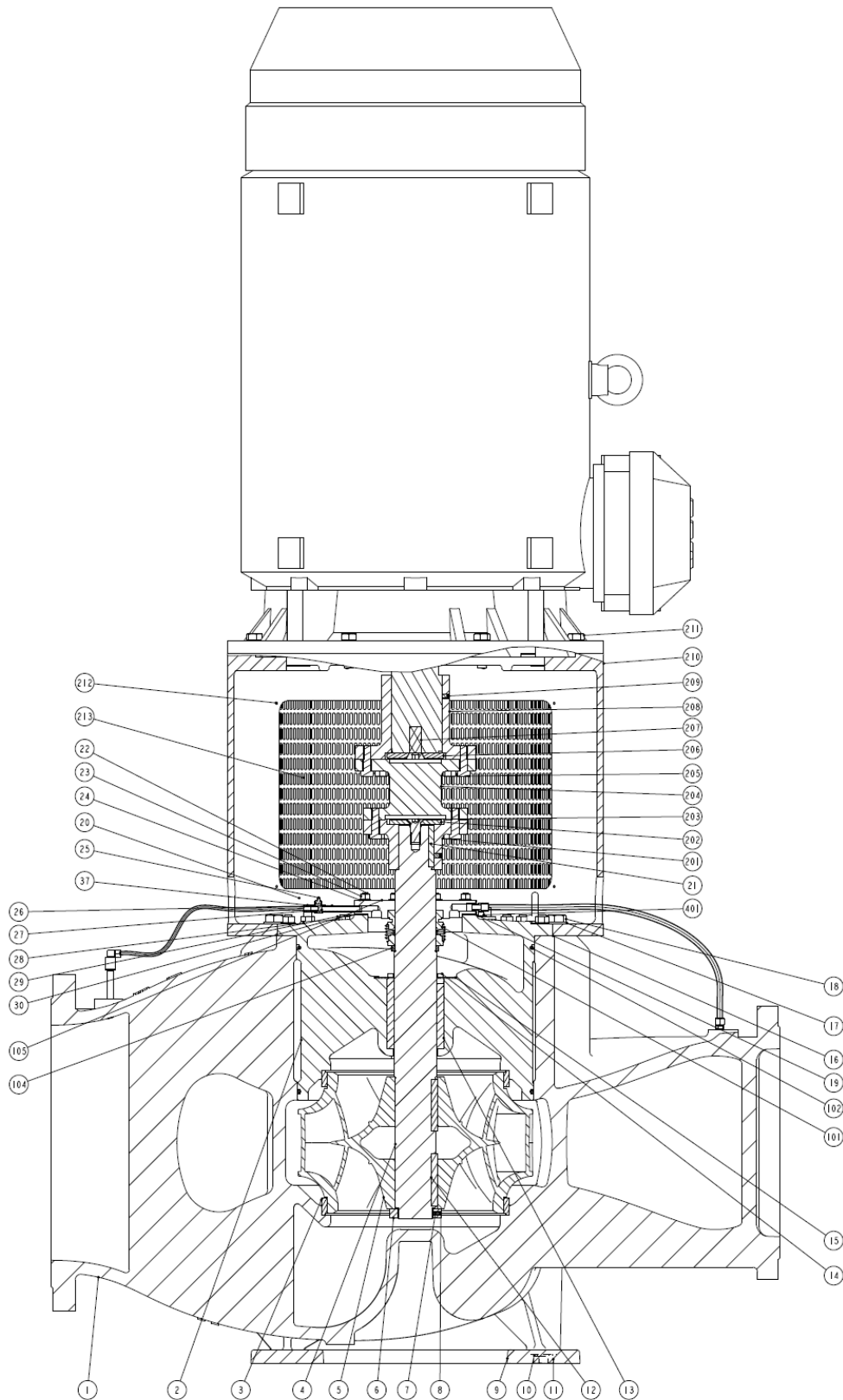
## 16.4 DSL300-495/-G, DSL350-460/-G AND DSL400-460

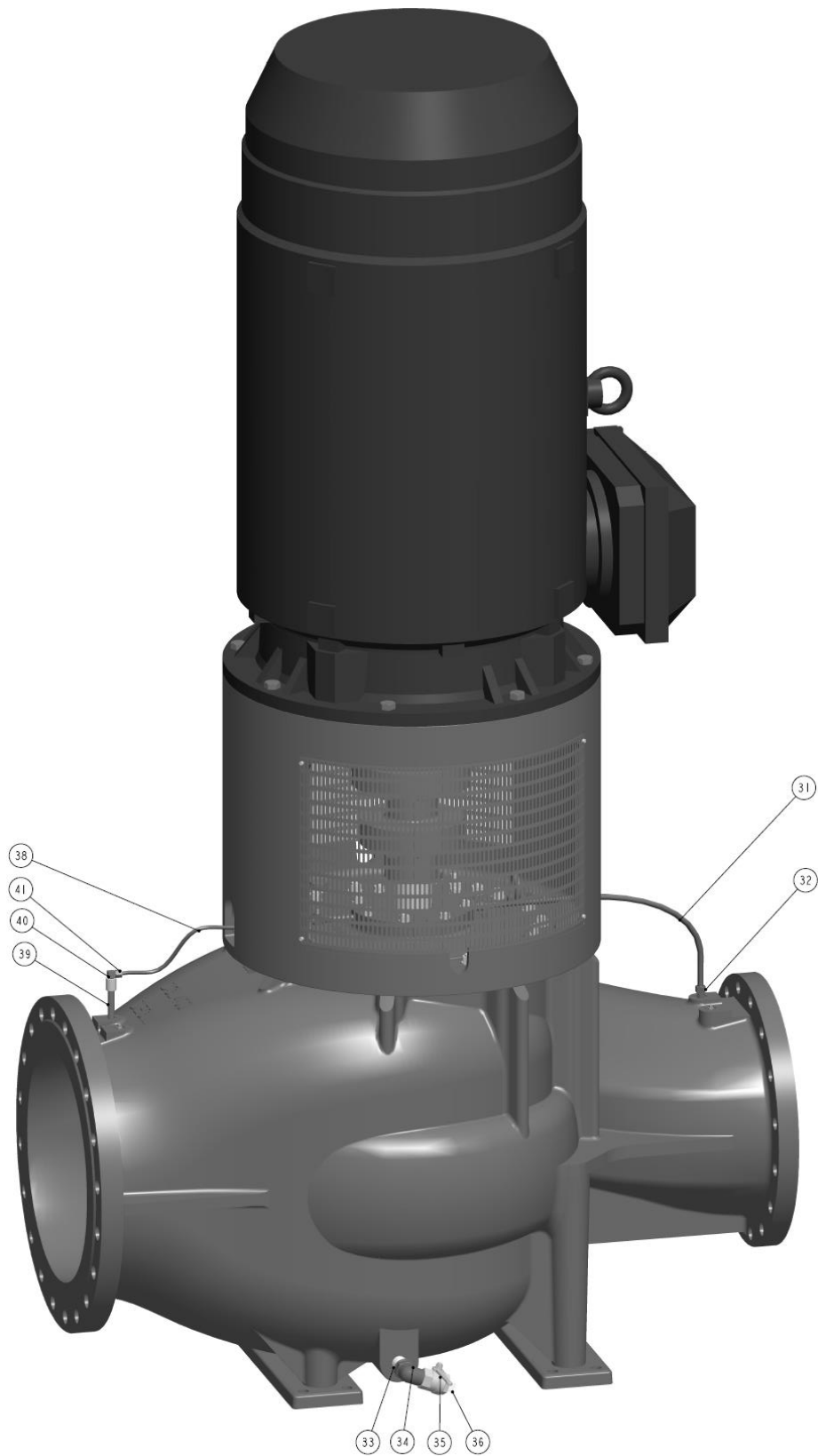




Pos.	Designation	Pos.	Designation
1	Pump Casing	29	Eye bolt
2	Rear Cover	30	Nipple
3	Seal Ring	31	Nipple
4	Shaft	32	Tube
5	Impeller	33	Tube
6	Shaft Nut	34	Plug
7	Plastic Ball	35	Sealing Washer
8	Pointed Screw	36	Plug
9	Base Plate	101	Mechanical Shaft Seal
10	Lock Disc	102	O-Ring
11	Set Screw	103	Support Ring
12	Key	201	Coupling
13	Sliding Bearing	202	Plate
14	Allen Screw	203	Screw
15	Lock Plate	204	Coupling
16	Gasket	205	Screw
17	Washer	206	Washer
18	Nut	207	Plate
19	Stud	208	Screw
20	Gasket	209	Coupling
21	Key	210	Pointed Screw
22	Seal cover	211	Pointed Screw
23	Stud	212	Motor Bracket
24	Nut	213	Washer
25	Washer	214	Screw
26	Stud	215	Guard
27	Nut	216	Set Screw
28	Washer		

## 16.5 DSL400-498/-G and DSL450-490

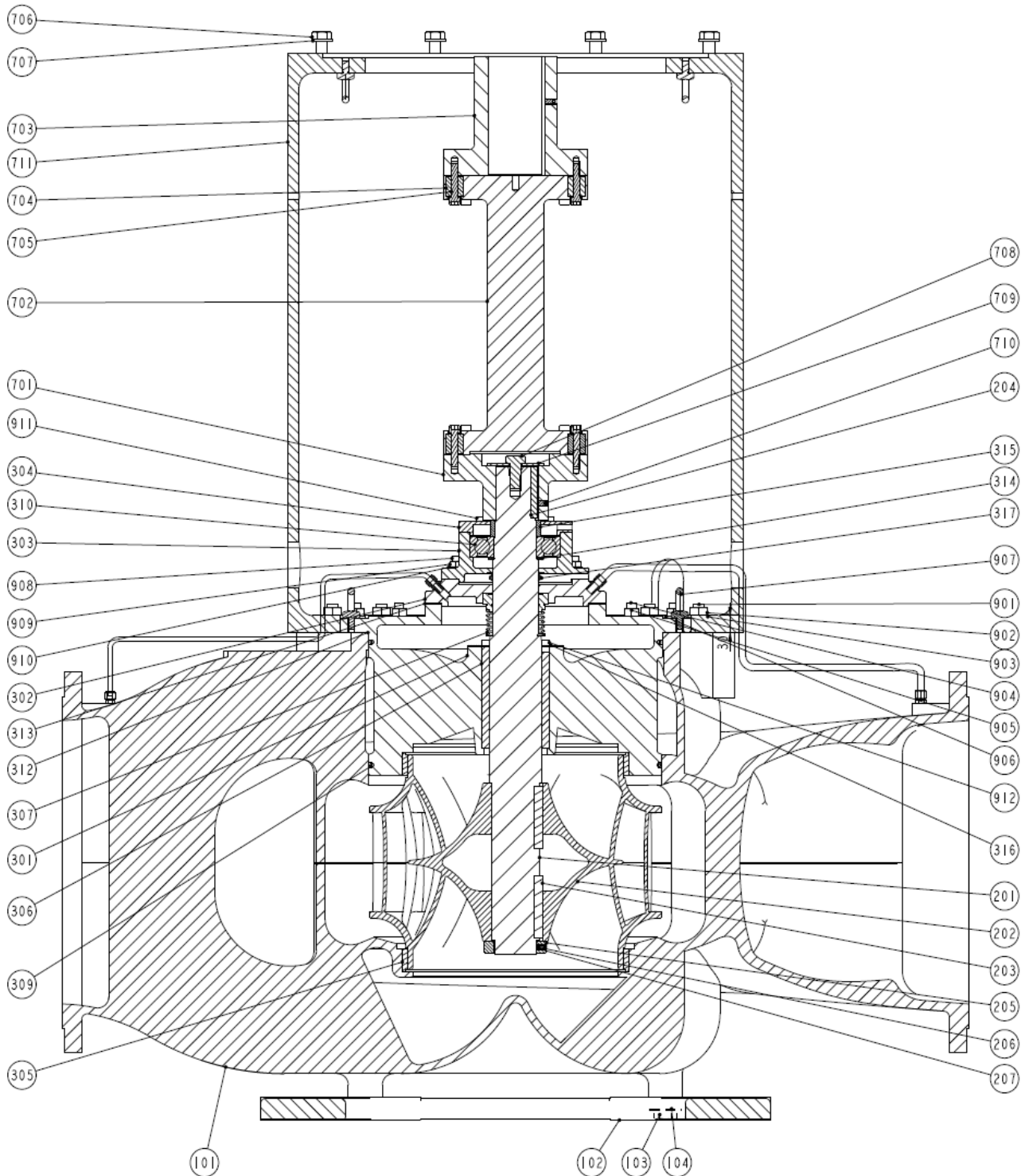




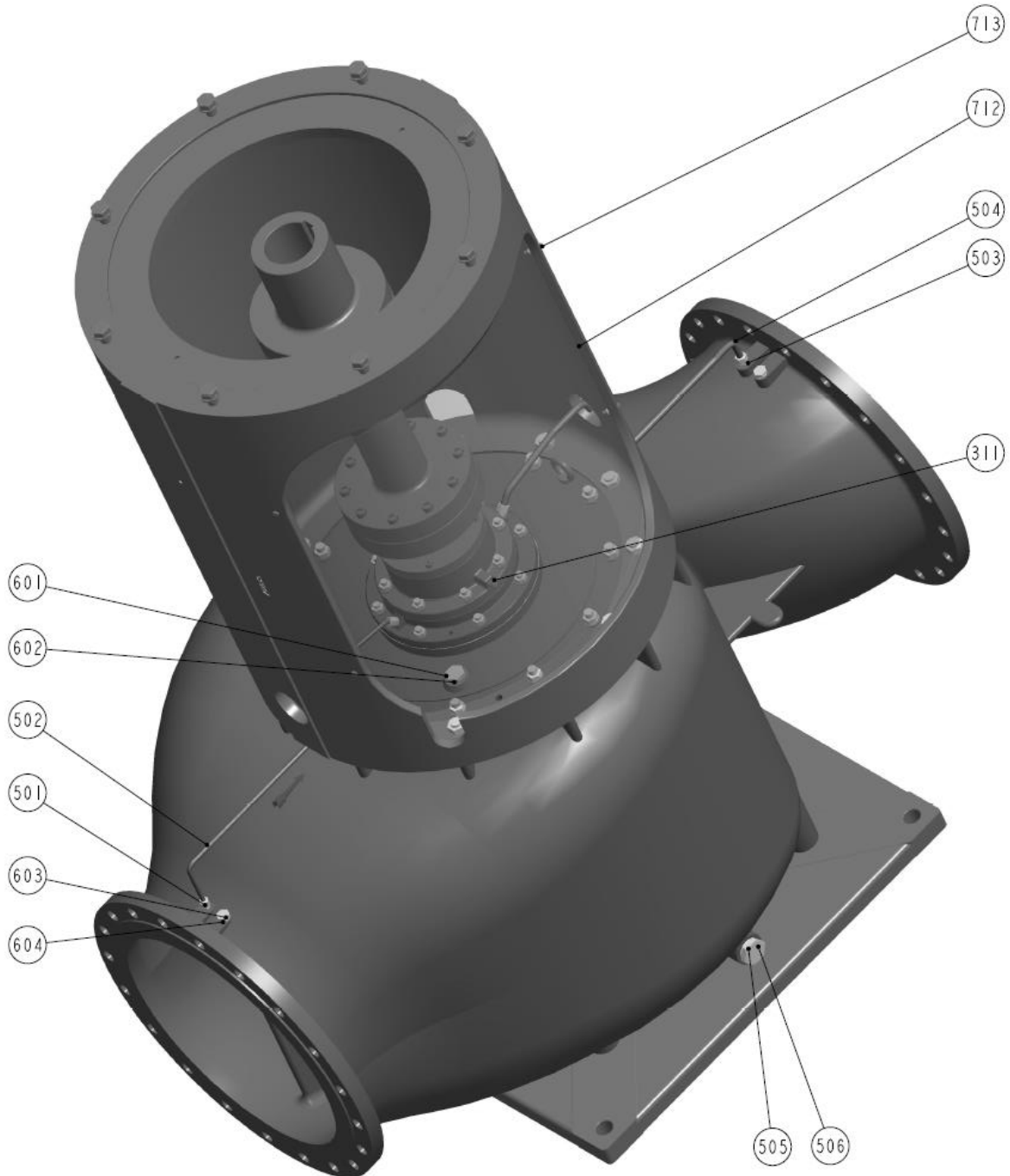
Pos.	Designation	Pos.	Designation
1	Pump Casing	31	Tube
2	Rear Cover	32	Nipple
3	Seal Ring	33	Nipple
4	Shaft	34	Elbow
5	Impeller	35	Ball Valve
6	Shaft Nut	36	Plug
7	Plastic Ball	37	Nipple
8	Pointed Screw	38	Tube
9	Base Plate	39	Nipple
10	Lock Disc	40	Sleeve
11	Set Screw	41	Male Elbow
12	Key	101	Mechanical Shaft Seal
13	Sliding Bearing	102	O-Ring
14	Allen Screw	104	Stop Collar
15	Lock Plate	105	Seal Cover
16	Gasket	201	Coupling
17	Washer	202	Plate
18	Set Screw	203	Screw
19	Gasket	204	Coupling
20	Eye Bolt	205	Screw
21	Key	206	Plate
22	Stud	207	Screw
23	Nut	208	Coupling
24	Washer	209	Pointed Screw
25	Plug	210	Motor Bracket
26	Nipple	211	Set Screw
27	Tee	212	Allen Screw
28	Washer	213	Guard
29	Nut	401	Plug
30	Stud		



## 16.6 DSL500-515/-B

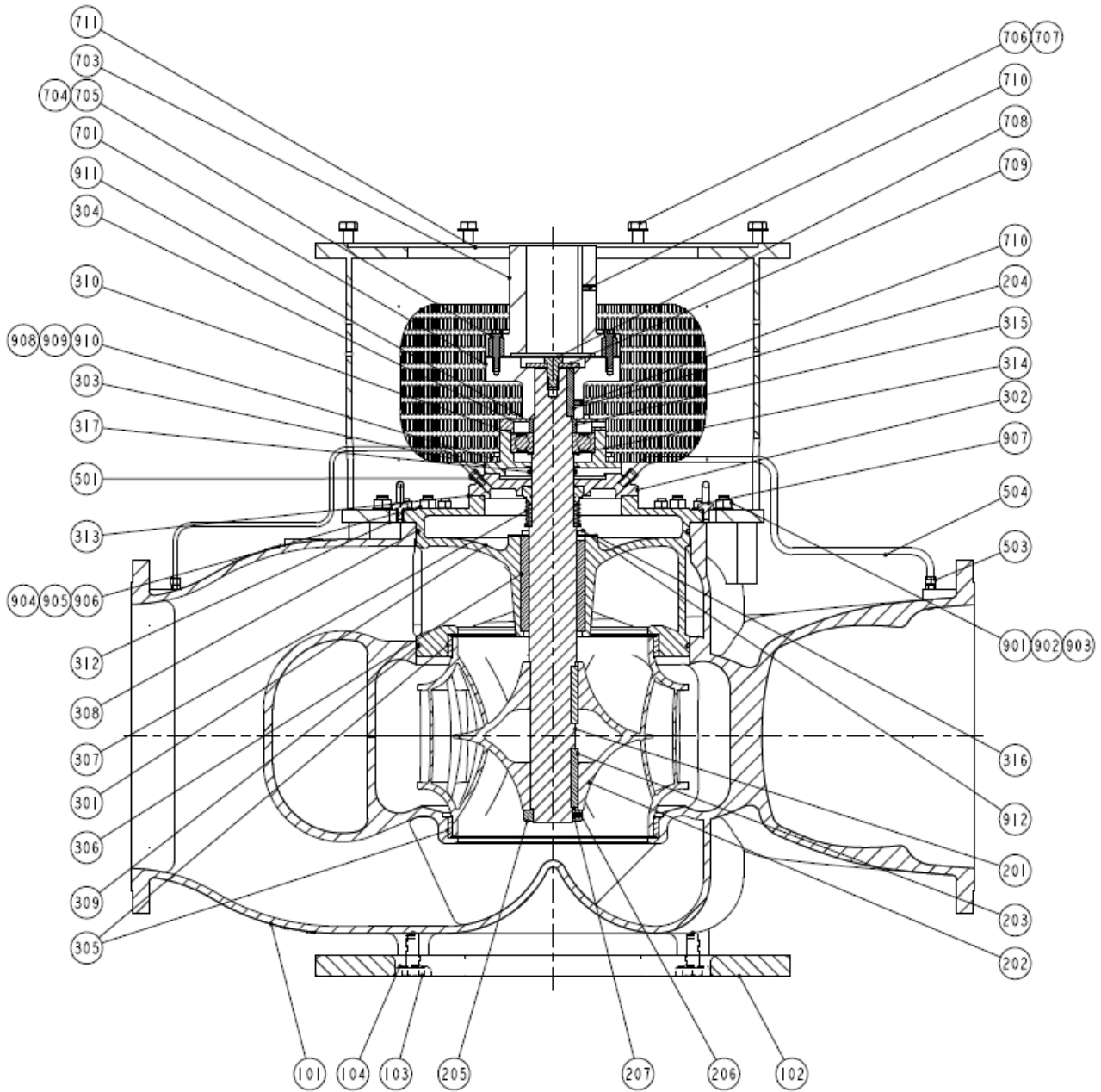


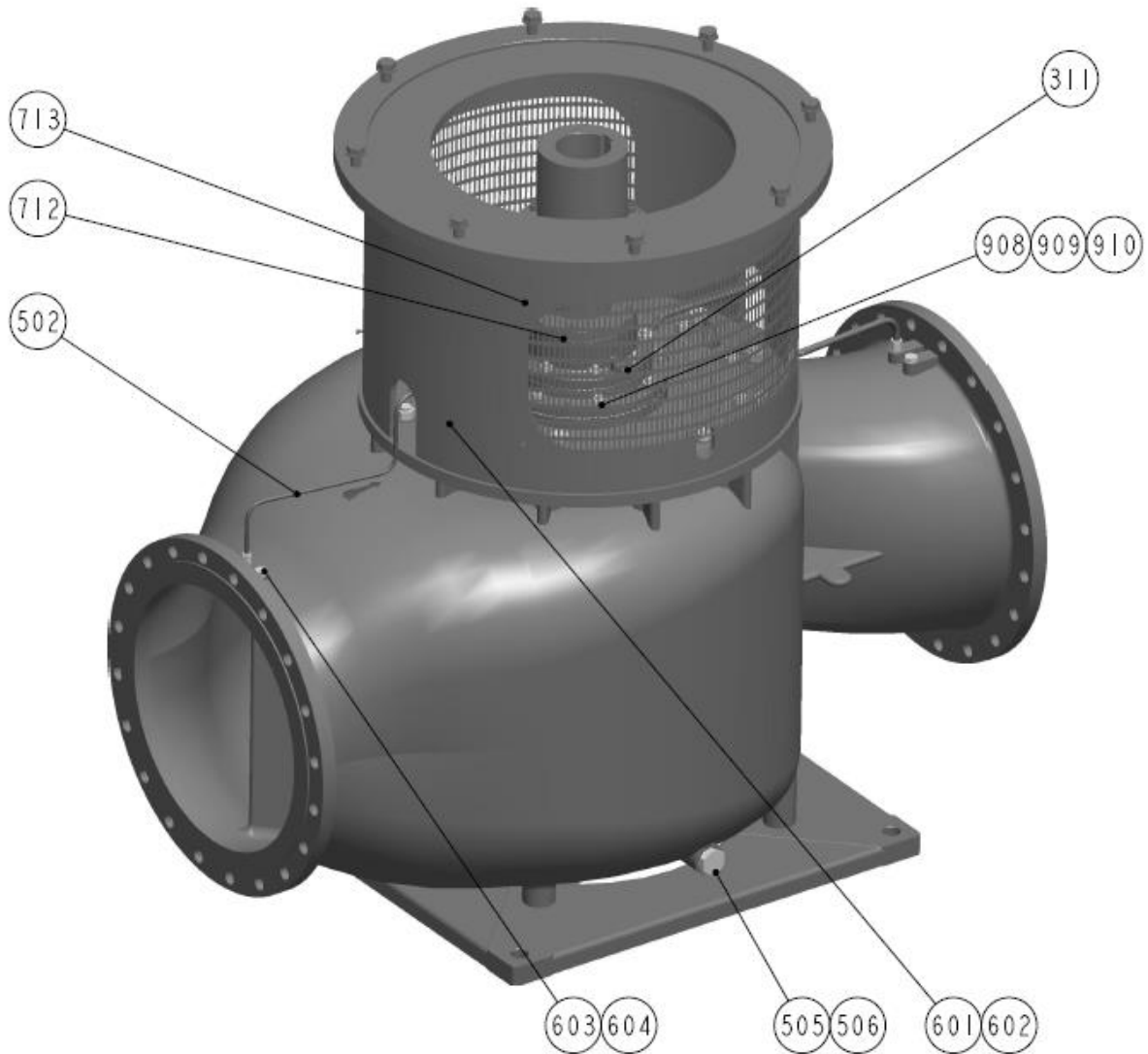




Pos.	Designation	Pos.	Designation
101	PUMP CASING	601	PLUG
102	BASE PLATE	602	SEALING WASHER
103	SET SCREW	603	PLUG
104	NORD-LOCK	604	SEALING WASHER
201	SHAFT	701	COUPLING
202	IMPELLER	702	SPACER SHAFT
203	KEY	703	COUPLING
204	KEY	704	COUPLING BUSH
205	SHAFTNUT	705	ALLEN SCREW
206	POINT SCREW	706	SET SCREW
207	PLASTIC BALL	707	WASHER
301	REAR COVER	708	SET SCREW
302	SEALING COVER	709	THRUST PLATE
303	BEARING HOUSING	710	POINTED SCREW
304	BEARING COVER	711	BRACKET
305	WEAR RING	712	GUARD
306	BEARING	713	SET SCREW
307	MECHANICAL SEAL	901	STUD
308	O-RING	902	NUT
309	O-RING	903	WASHER
310	BALL BEARING	904	STUD
311	LUBRICATOR NIPPLE	905	NUT
312	GASKET	906	WASHER
313	GASKET	907	EYEBOLT
314	SUPPORT DISC	908	STUD
315	POSITION RING	909	NUT
316	LOCK PLATE	910	WASHER
317	V-RING	911	ALLEN SCREW
501	HEX.NIPPLE	912	ALLEN SCREW
502	TUBE		
503	HEX.NIPPLE		
504	TUBE		
505	PLUG		
506	SEALING WASHER		

## 16.7 DSL500-515/-G





Pos.	Designation	Pos.	Designation
101	PUMP CASING	601	PLUG
102	BASE PLATE	602	SEALING WASHER
103	SET SCREW	603	PLUG
104	NORD-LOCK	604	SEALING WASHER
201	SHAFT	701	COUPLING
202	IMPELLER	702	SPACER SHAFT
203	KEY	703	COUPLING
204	KEY	704	COUPLING BUSH
205	SHAFTNUT	705	ALLEN SCREW
206	POINT SCREW	706	SET SCREW
207	PLASTIC BALL	707	WASHER
301	REAR COVER	708	SET SCREW
302	SEALING COVER	709	THRUST PLATE
303	BEARING HOUSING	710	POINTED SCREW
304	BEARING COVER	711	BRACKET
305	WEAR RING	712	GUARD
306	BEARING	713	SET SCREW
307	MECHANICAL SEAL	901	STUD
308	O-RING	902	NUT
309	O-RING	903	WASHER
310	BALL BEARING	904	STUD
311	LUBRICATOR NIPPLE	905	NUT
312	GASKET	906	WASHER
313	GASKET	907	EYEBOLT
314	SUPPORT DISC	908	STUD
315	POSITION RING	909	NUT
316	LOCK PLATE	910	WASHER
317	V-RING	911	ALLEN SCREW
501	HEX.NIPPLE	912	ALLEN SCREW
502	TUBE		
503	HEX.NIPPLE		
504	TUBE		
505	PLUG		
506	SEALING WASHER		