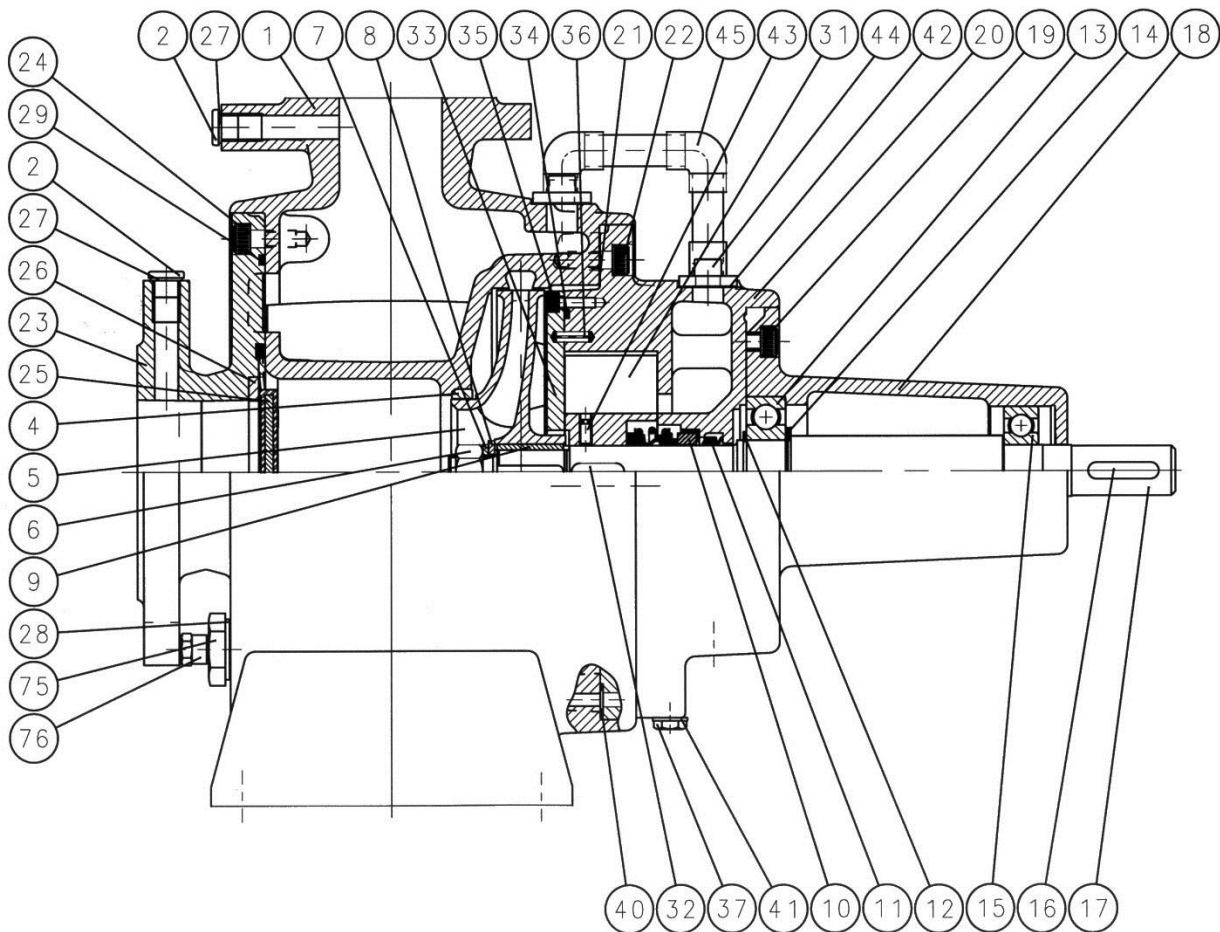


15. ASSEMBLY DRAWING



16. SPARE PARTS LIST

1 Pump casing	16 Sunk key	31 Star wheel
2 Pipe plug	17 Shaft	32 Sunk key
4 Sealing ring	18 Bearing housing	33 Priming plate
5 Impeller	19 Allen screw	34 O-ring
6 Nut	20 Shaft seal cover	35 Allen screw
7 Spring collar	21 Gasket	36 Tightening pin
8 Washer	22 Allen screw	37 Pipe plug
9 Sunk key	23 Suction piece	40 O-ring
10 Mech. shaft seal	24 Allen screw	41 Gasket
11 Water deflector	25 Non-return flap	42 Gasket
12 Ring lock	26 Contact ring	43 Pointed screw
13 Ball bearing	27 Gasket	44 Allen screw
14 Support disc	28 Gasket	45 U-pipe
15 Ball bearing	29 O-ring	75 Drain plug
		76 Relief valve