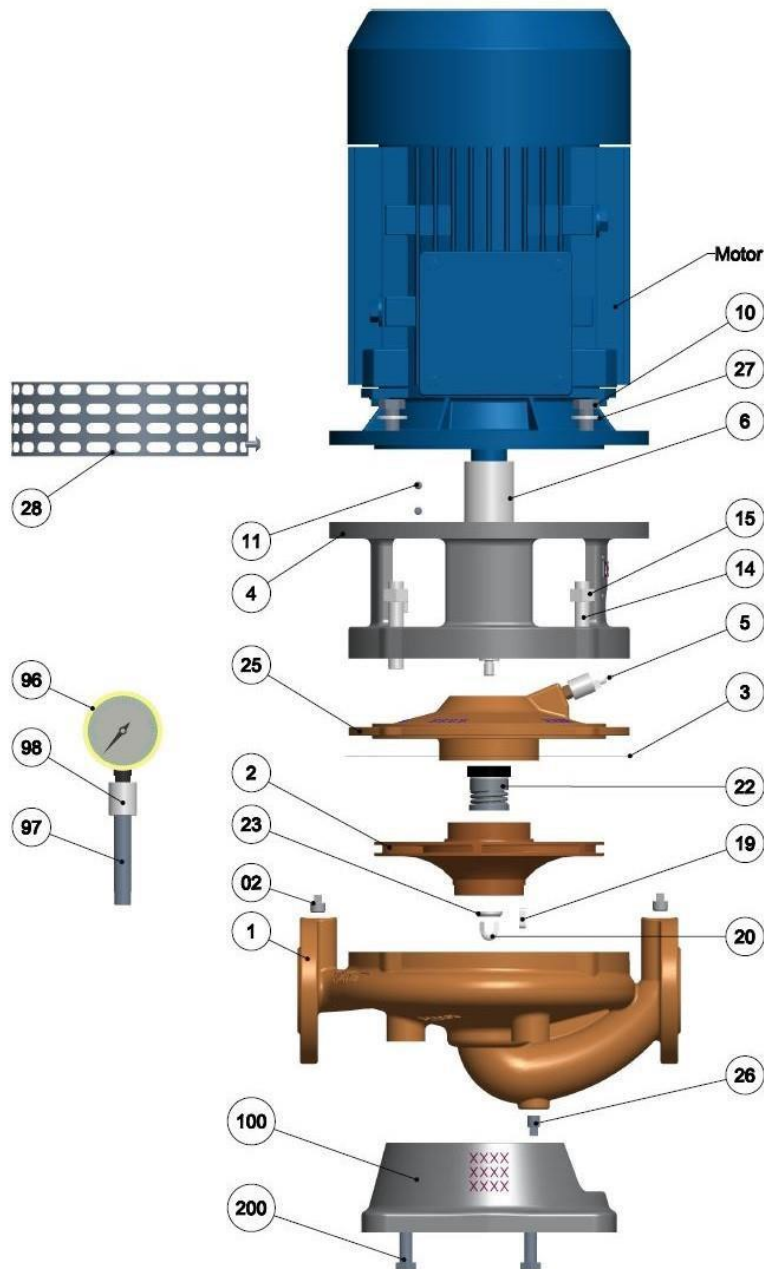
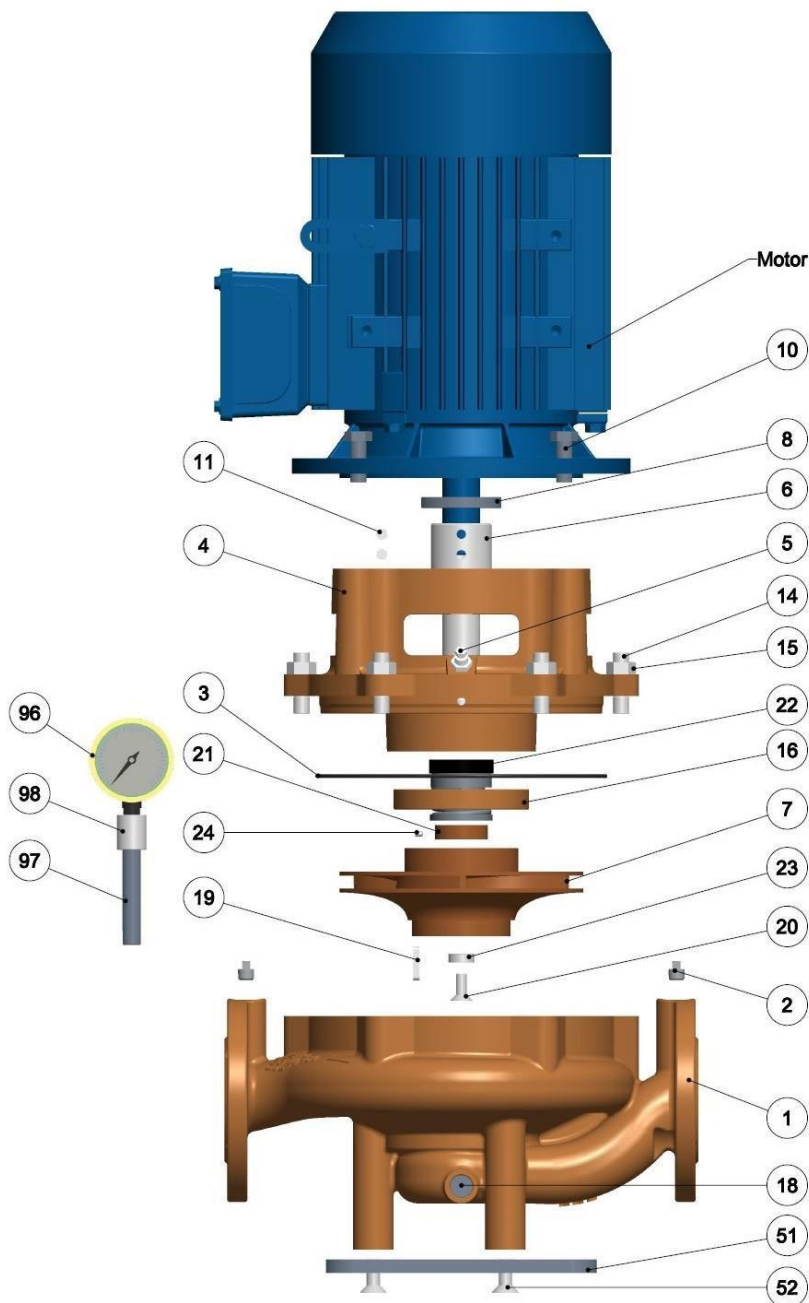


15. ASSEMBLY DRAWING ESL25-180/-12-COMB.



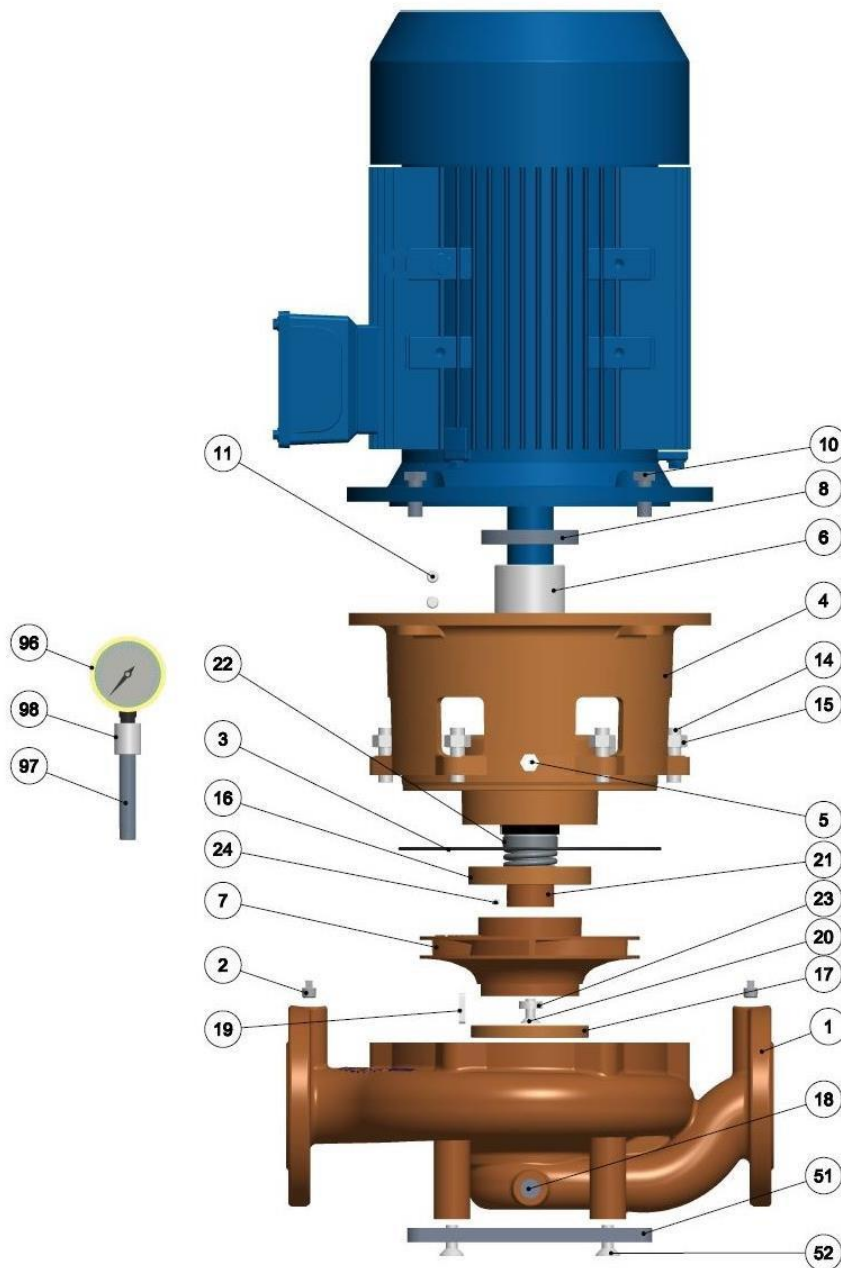
1	Pump casing
2	Impeller
02	Plug
3	Gasket
4	Motor bracket
5	Vent plug
6	Shaft
10	Set screw
11	Pointed screw
14	Stud
15	Nut
19	Key
20	Nut
22	Mechanical shaft seal
23	Washer
25	Cover
26	Plug
27	Washer
28	Guard
96	Manometer
97	Nipple
98	Sleeve
100	Base plate
200	Screw

16. ASSEMBLY DRAWING ESL40-180/12-COMB.



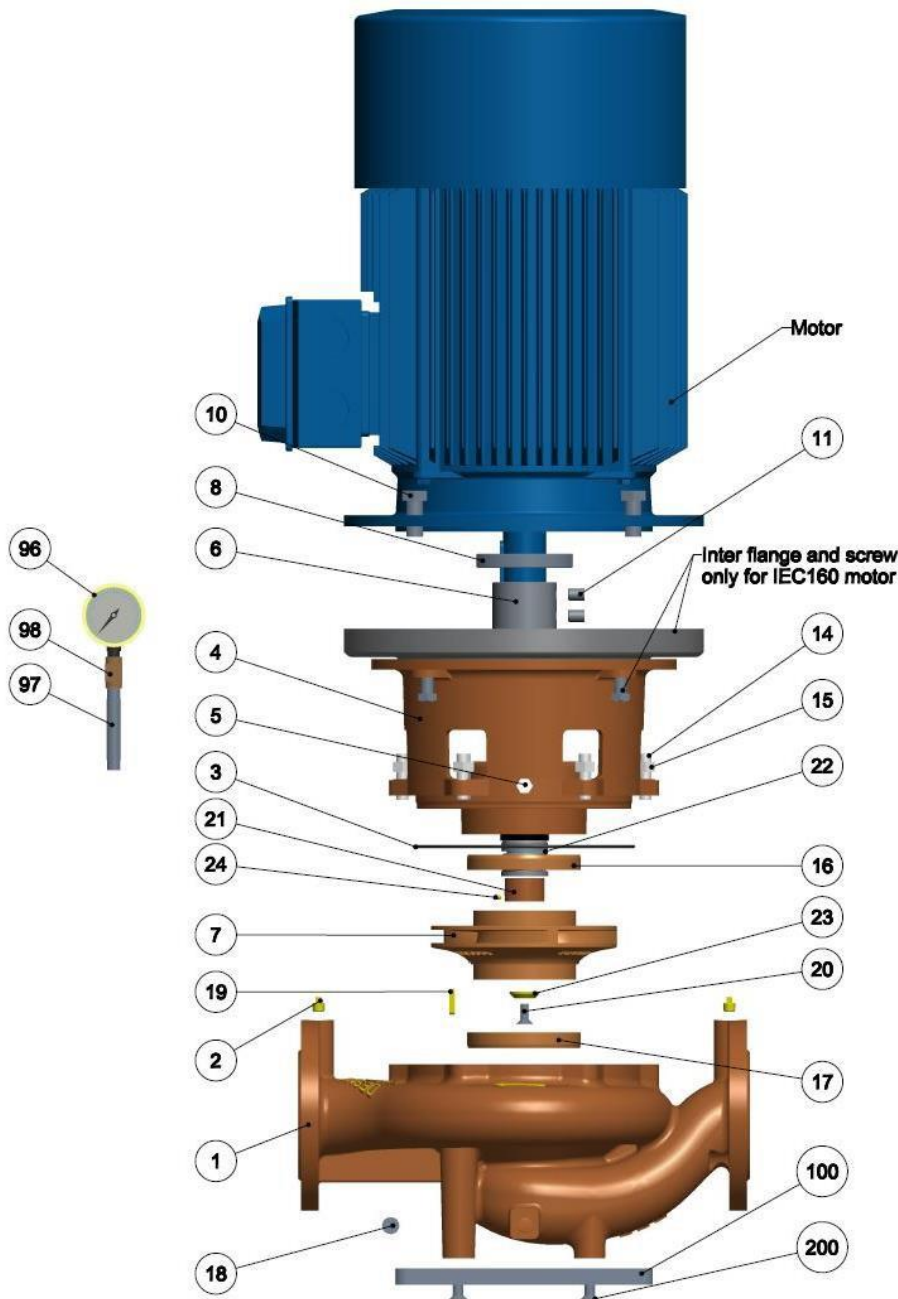
1	Pump casing
2	Plug
3	O-ring
4	Casing cover
5	Vent plug
6	Shaft
7	Impeller
8	Shaft flange
10	Set screw
11	Pointed screw
14	Stud
15	Nut
16	Wear ring
18	Plug
19	Key
20	Screw
21	Stop ring
22	Mechanical shaft seal
23	Washer
24	Pointed screw
51	Base plate
52	Screw
96	Manometer
97	Nipple
98	Sleeve

17. ASSEMBLY DRAWING ESL50-180/-12-COMB.



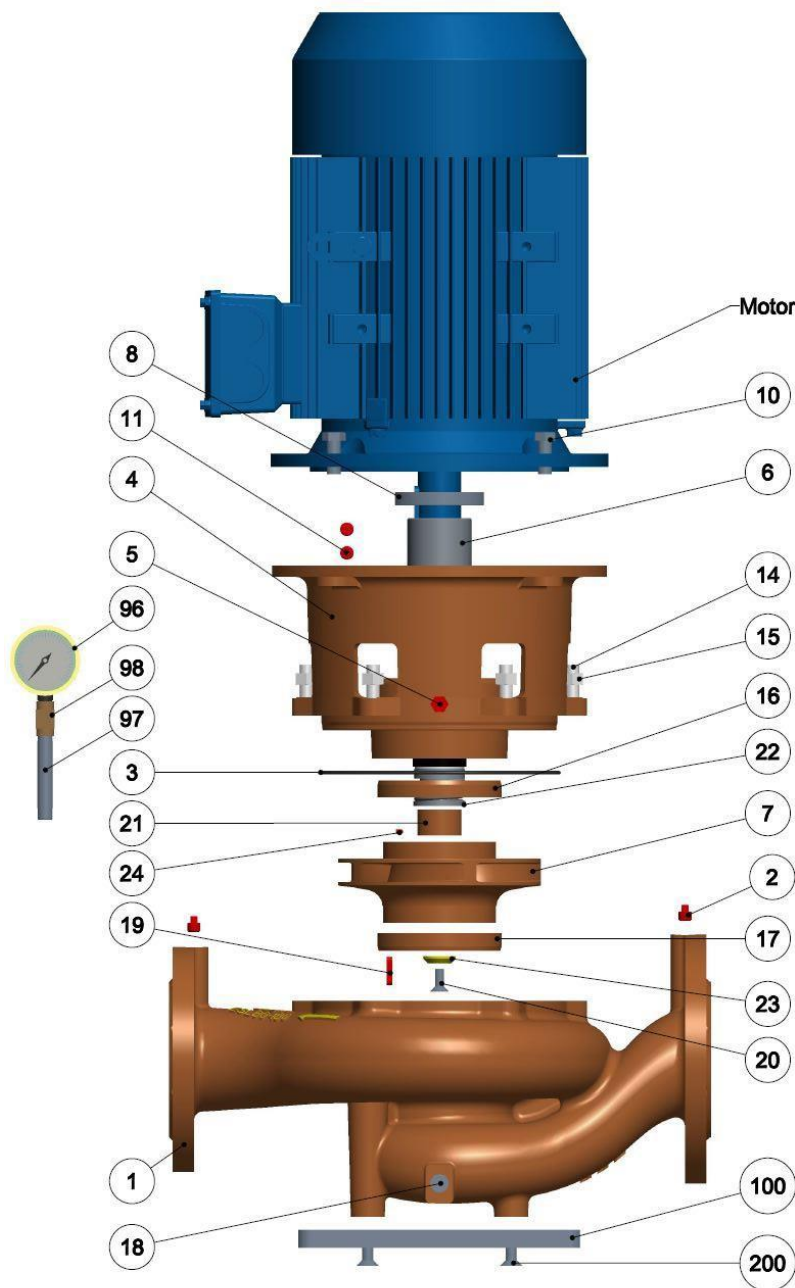
1	Pump casing
2	Plug
3	O-ring
4	Casing cover
5	Vent plug
6	Shaft
7	Impeller
8	Shaft flange
10	Set screw
11	Pointed screw
14	Stud
15	Nut
16	Wear ring
17	Wear ring
18	Plug
19	Key
20	Screw
21	Stop ring
22	Mechanical shaft seal
23	Washer
24	Pointed screw
51	Base plate
52	Screw
96	Manometer
97	Nipple
98	Sleeve

18. ASSEMBLY DRAWING ESL65-180/12-COMB.



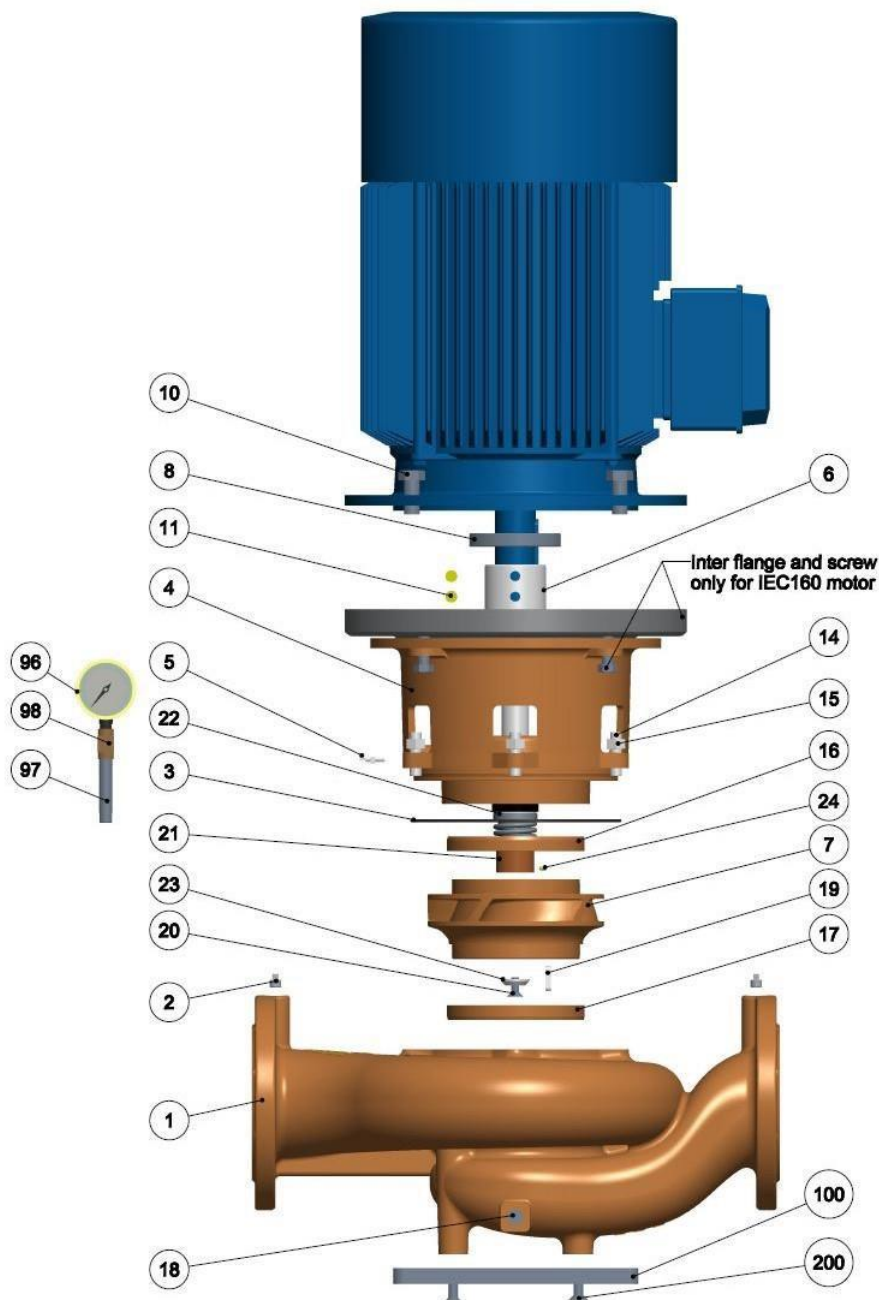
1	Pump casing
2	Plug
3	O-ring
4	Casing cover
5	Vent plug
6	Shaft
7	Impeller
8	Shaft flange
10	Set screw
11	Pointed screw
14	Stud
15	Nut
16	Wear ring
17	Wear ring
18	Plug
19	Key
20	Screw
21	Stop ring
22	Mechanical shaft seal
23	Washer
24	Pointed screw
96	Manometer
97	Nipple
98	Sleeve
100	Base plate
200	Screw

19. ASSEMBLY DRAWING ESL80-180/-12 & ESL80-180B/-12 & ESL80-180E/-12 -COMB.



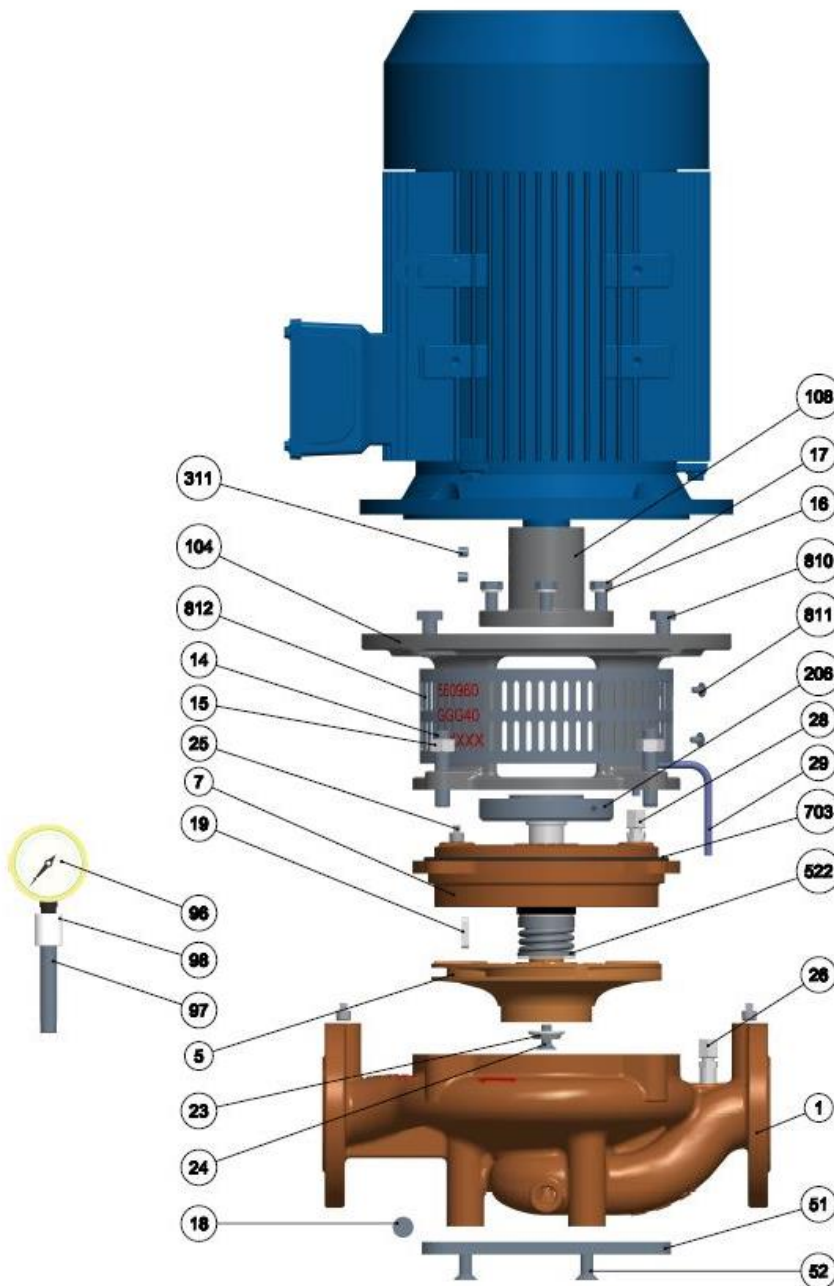
1	Pump casing
2	Plug
3	O-ring
4	Casing cover
5	Vent plug
6	Shaft
7	Impeller
8	Shaft flange
10	Set screw
11	Pointed screw
14	Stud
15	Nut
16	Wear ring
17	Wear ring
18	Plug
19	Key
20	Screw
21	Stop ring
22	Mechanical shaft seal
23	Washer
24	Pointed screw
96	Manometer
97	Nipple
98	Sleeve
100	Base plate
200	Screw

20. ASSEMBLY DRAWING ESL100-180/-12-COMB.



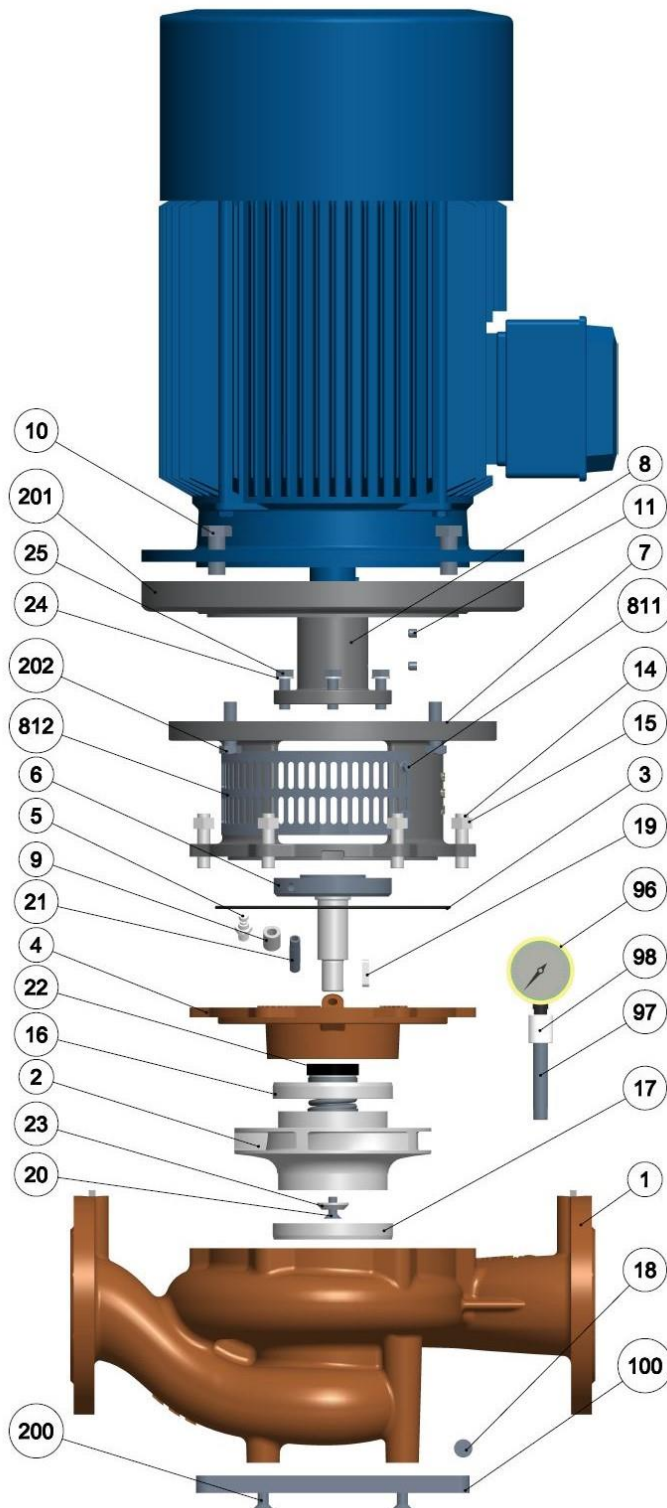
1	Pump casing
2	Plug
3	O-ring
4	Casing cover
5	Vent plug
6	Shaft
7	Impeller
8	Shaft flange
10	Set screw
11	Pointed screw
14	Stud
15	Nut
16	Wear ring
17	Wear ring
18	Plug
19	Key
20	Screw
21	Stop ring
22	Mechanical shaft seal
23	Washer
24	Pointed screw
96	Manometer
97	Nipple
98	Sleeve
100	Base plate
200	Screw

21.ASSEMBLY DRAWING ESL40/50-18N-12-COMB



1	Pump casing
5	Impeller
7	Rear cover
14	Stud
15	Nut
16	Washer
17	Set screw
18	Plug
19	Key
23	Washer
24	Screw
25	Plug
26	Nipple
28	Nipple
29	Pipe
51	Base plate
52	Screw
96	Manometer
97	Nipple
98	Sleeve
104	Motor bracket
108	Motor coupling
206	Shaft W. Flange
311	Pointed screw
522	Shaft seal
703	O-ring
810	Set screw
811	BH-Screw
812	Guard

22.ASSEMBLY DRAWING ESL80/100-180N-12 & ESL65-180M/-12-COMB



1	Pump casing
2	Impeller
3	O-ring
4	Rear cover
5	Venting plug
6	Shaft W. Flange
7	Motor bracket
8	Motor coupling
9	Muff
10	Set screw
11	Pointed screw
14	Stud
15	Nut
16	Wear ring
17	Wear ring
18	Plug
19	Key
20	Set screw
21	Sleeve
22	Shaft seal
23	Washer
24	Washer
25	Set screw
96	Manometer
97	Nipple
98	Sleeve
100	Base plate
200	Screw
201	Inter. flange
202	Set screw
811	BH-Screw
812	Guard